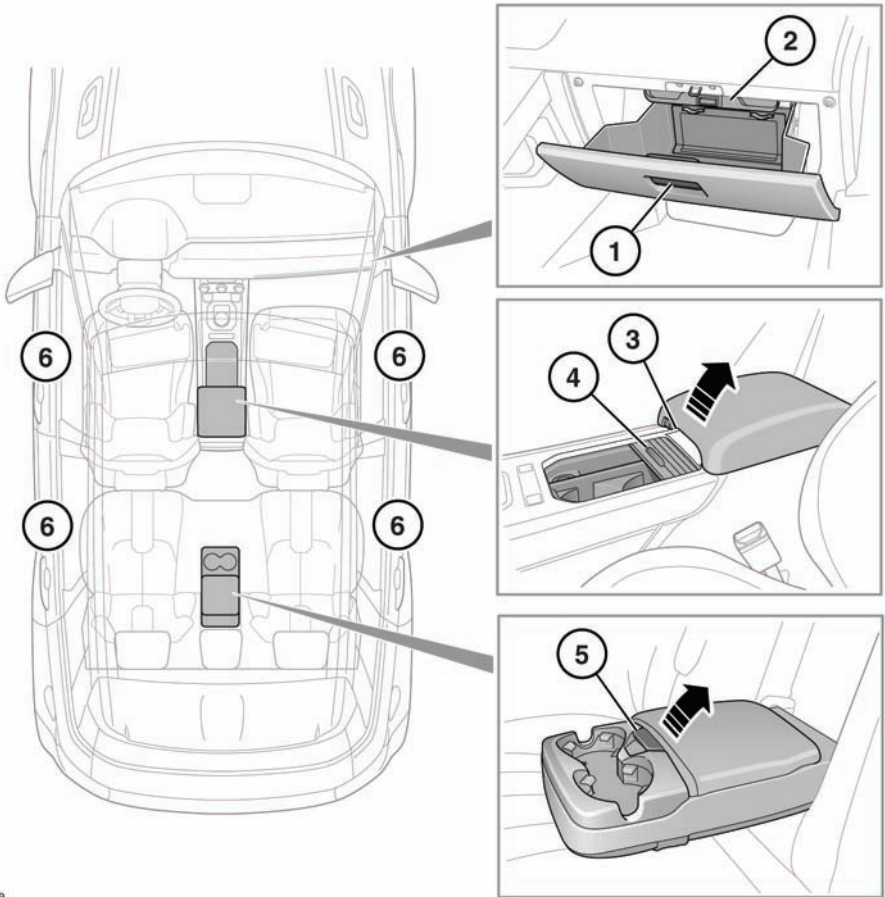


STORAGE AND CUP HOLDERS



SL1889

1. Glovebox.
2. Inside the glovebox is a drop down storage area for the Owner's Handbook pack.
3. Cubby box.
4. Sliding top to reveal cup holders.



Do not drink, or use the drinks holders when driving.

5. Rear armrest storage and cup holders.
6. Storage areas.



Ensure that any items stored in the vehicle are secure and cannot move. If the vehicle is involved in an accident, or subject to a sudden braking or direction change, loose items can cause serious injury.