

- ⚠ Please disconnect your iPod when leaving the vehicle. Failure to do so may result in the iPod battery discharging.

To maximise playback quality, it is recommended that lossless compression is used for any media files on USB or iPod. Failing this, it is recommended that compressed files utilise a minimum bitrate of 192 kbps (a higher bitrate is strongly recommended).

Note: iPod is a trademark of Apple Computer Inc., registered in the US and other countries.

Note: Some MP3 players may have their own file system that is not supported by this system. To use your MP3 player, you must set it to USB Removable Device or Mass Storage Device mode. Only music that has been added to the device in this mode can be played.

PLAYING A PORTABLE DEVICE

If you are using a USB mass storage device or approved iPod, you can control playback using the touch screen controls.

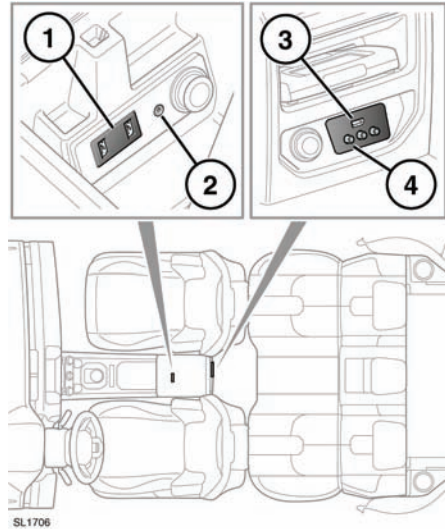
If you are using a Bluetooth® device, you can control playback using the touch screen, but some controls are unavailable.

For further information on Bluetooth® and device compatibility, see **143, BLUETOOTH® INFORMATION.**

If you are using any portable media device via the AUX socket, then you must control playback from the device itself.

- ⚠ Land Rover does not recommend the use of a Hard Disc Drive via the USB link while the vehicle is in motion. These devices are not designed for in car use and may be damaged.

CONNECTING A DEVICE



1. USB/iPod sockets.
2. 3.5 mm AUX socket.
3. Rear media USB/iPod socket.
4. Rear media AV sockets.

Connect the device into the appropriate socket.

Note: Use the cable supplied with your media device to connect to the USB socket.

When an iPod is connected, playback will continue from the point at which it was last playing, provided the iPod battery is in a good state of charge.

- ⚠ Do not plug non-audio devices into the USB port.

Note: A USB hub cannot be used to connect more than one USB device to the audio unit.

Note: Devices connected to the USB ports will be charged, but devices that are fully discharged will not play.