

Both types of tailgate can be released using:

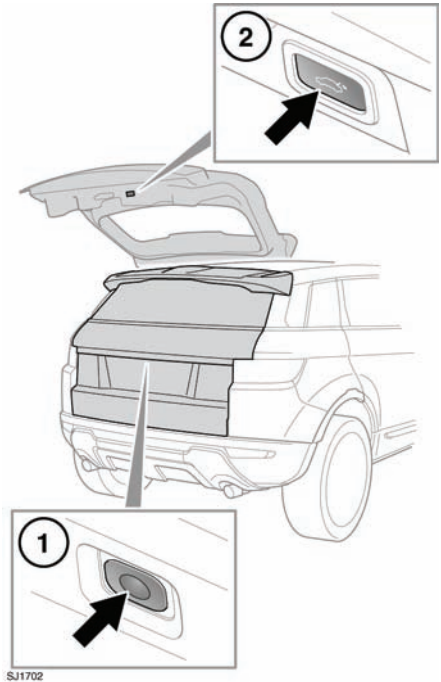
- the appropriate button on the Smart Key,
- the internal release switch,
- the external release switch on the tailgate.

Note: The tailgate will not open if the vehicle is travelling at or above approximately 5 km/h (3 mph).

Note: When using the external release switch, all doors must be unlocked and the gear selector in Park (P) position.

Note: If the Smart Key is inadvertently left inside the luggage compartment and the vehicle is locked and the alarm set, an audible warning will sound and the tailgate will re-open after three seconds.

OPERATING THE POWERED TAILGATE



1. Press to open the powered tailgate.
2. Press and release to close the powered tailgate.

After the tailgate has opened to its set height, it can be manually raised or lowered. If the tailgate fails to open or close correctly, close it manually then press the tailgate release switch again.