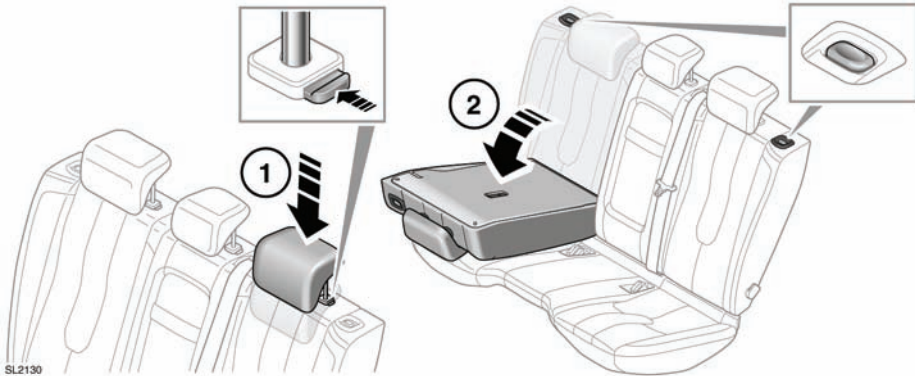


## FOLDING AND RAISING THE REAR SEATS



The split fold rear seat of 5 door models can be folded completely, or partially at 60/40 split, to accommodate loads and still retain seating for passengers.

To fold part or all of the seat:

1. First press in the adjusting collar then fully lower the head restraints.

**Note:** *Adjusting collar positions are dependent on seat position. Right side position, collar at base of right pillar. Left and centre positions, collar on left side.*

2. Press a seat backrest release button, then fold the appropriate backrest fully forward.

Raising a folded seat is a reversal of the folding process.

When the seat back is fully raised and locked into position, the release/locking button will pop up.

### Coupe rear seat folding

If a seat fold is required, the smaller part must be folded first. The larger part can then be folded.

Raising the Coupe folded seats is a reversal of the folding process. Ensure that the release/locking button relocates into the correct position.



**Ensure that when the backrest is raised the locking mechanism is fully engaged. If the backrests are not fully locked in place, red markers will be visible around the backrest buttons.**