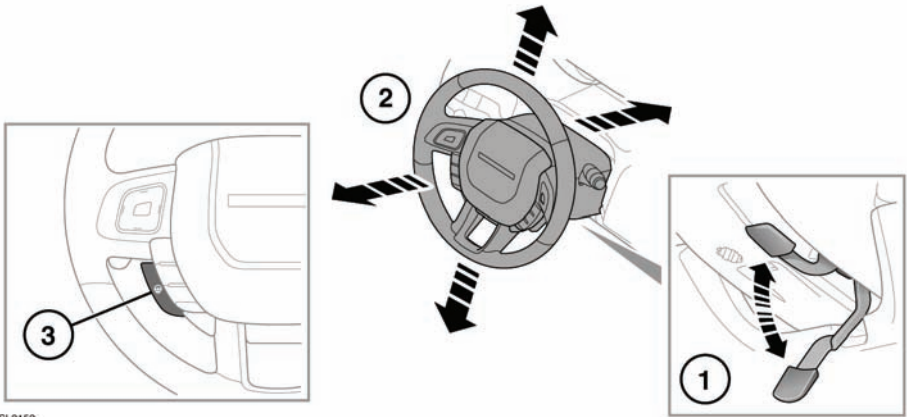


ADJUSTING THE STEERING WHEEL



SL2152



Never adjust the steering column while the vehicle is in motion.

1. Move the lever fully down to unlock the column. Move the lever fully up to re-lock the column.
2. Move the steering column up, down, in or out, to the desired position.
3. Press to switch on the steering wheel heating. Press again to turn off.

POWER STEERING

A fault with the power steering system is indicated by a message in the message centre, accompanied by an amber warning lamp. See **63, GENERAL WARNING/INFORMATION MESSAGE (AMBER)**. A reduction in power steering assistance may be experienced. The fault may be caused by overheating due to extensive steering inputs or high ambient temperatures.

Full steering assistance should return when the system has been allowed to cool. If full steering assistance does not return, consult a Land Rover Dealer/Authorised Repairer.