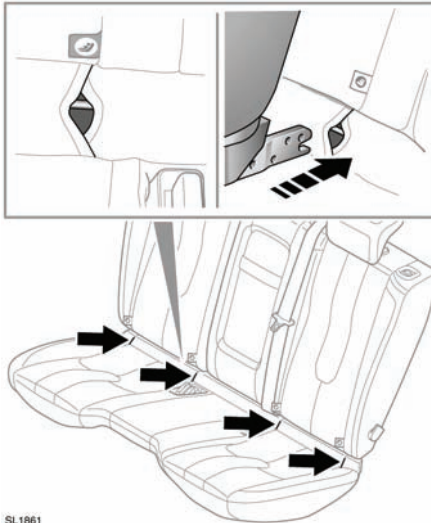


INSTALLING ISOFIX CHILD RESTRAINTS (not Australia)



SL1861

To install an ISOFIX child seat:-





1. Locate the ISOFIX locking mechanism.
2. Slide the child seat into the locking mechanism.
3. If an upper tether is fitted to the child seat, ensure it is properly secured to the upper tether anchorages on the rear of the seats.

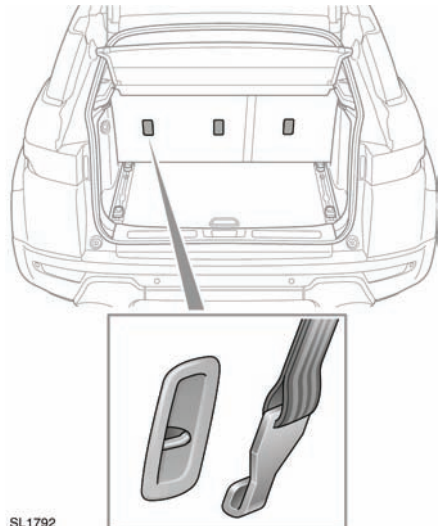
Test the security of the child restraint. To do this, attempt to pull the restraint away from the vehicle seat and twist the restraint from side to side. Even if the restraint appears secure, you should still check the anchor points visually, to ensure correct attachment.

Note: Always ensure that if an upper tether is provided, it is fitted and tightened correctly.

Your vehicle may be equipped with anchorage points on the back of the second row seat

TETHER ANCHORAGE POINTS

-  **WARNING:** Child restraint anchorages are designed to withstand only those loads imposed by correctly fitted child restraints. Under no circumstances are they to be used for adult seat belts, harnesses or for attaching other items or equipment to the vehicle.
-  Always follow the child seat or restraint system manufacturer's instructions when fitting tether straps.
-  When fitting a child seat or restraint system, always pass the tether strap over the top of the seat back and beneath the head restraint.
-  If a child seat or restraint system is to be fitted to the centre seating position, the centre armrest must be in the stowed position (folded into the seat).



SL1792

frames. These should be used to attach straps from child seats or restraint systems.