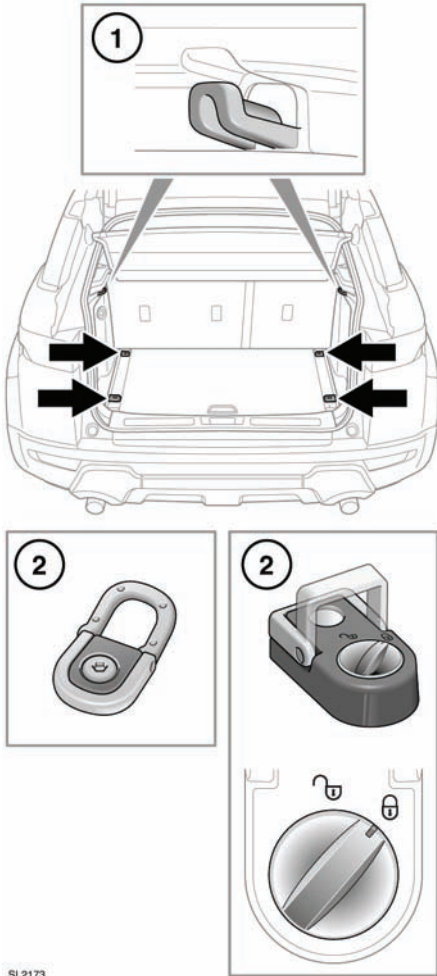


Load carrying

Loads must be evenly distributed without overhanging the rack. After travelling 50km (30 miles) check the security of the roof rack and any load.

LUGGAGE ANCHOR POINTS



SL2173



All items carried in the luggage area should be properly secured.

1. Bag hooks.
 - The bag hooks should only be used to secure light items such as shopping bags.
2. Load securing lashing eyes.
 - To assist in safely securing large items of luggage, four lashing eyes are located in the rear loadspace floor. If adjustable lashing eyes are fitted, first turn the locking button counter clockwise to unlock. Press the button and slide to the required position in the luggage rail. Release the button to latch into position. Move the lashing eye slightly until you hear a click. The lashing eye is now secured. Turn the button clockwise to lock.

Note: A range of approved luggage retention accessories is available from your Land Rover Dealer/Authorised Repairer.