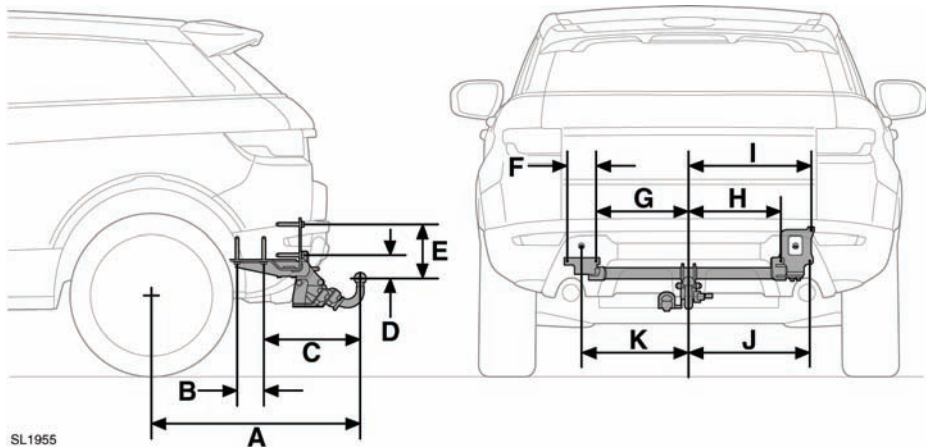


TOW BAR DIMENSIONS AND MOUNTING POINTS



Ref.	Dimension	MM	Inches
A	Wheel centre to centre of tow ball	871 mm	34.3 in.
B	Fixing points	110 mm	4.3 in.
C	Fixing point to centre of tow ball	405.5 mm	16.0 in.
D	Centre of tow ball to tow bar attachment	83 mm	3.3 in.
E	Centre of tow ball to fixing point	220 mm	8.7 in.
F	Centre of tow ball to fixing point	130 mm	5.1 in.
G	Centre of tow ball to fixing point	415 mm	16.3 in.
H	Centre of tow ball to fixing point	415 mm	16.3 in.
I	Centre of tow ball to fixing point	550 mm	21.7 in.
J	Centre of tow ball to fixing point	544 mm	21.4 in.
K	Centre of tow ball to fixing point	480 mm	18.9 in.

Note: Dimensions refer to towing equipment officially released by Land Rover.