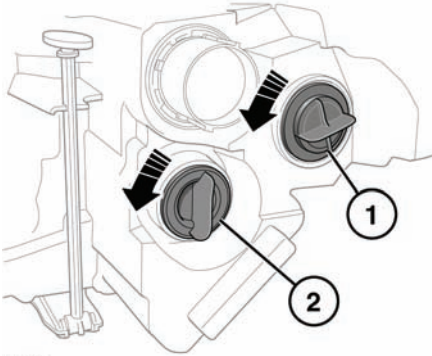


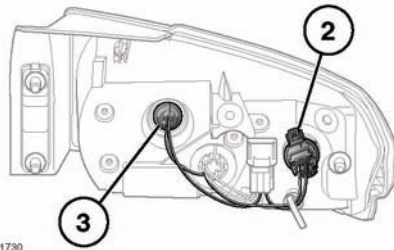
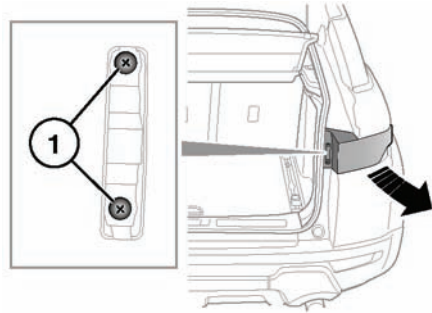
Removing the right side bulbs;



To gain more room for accessibility, follow the process for moving the right side headlamp unit.

1. At the back of the headlamp unit, remove the indicator bulb housing, turn it counter clockwise to release.
2. To remove the side lamp bulb housing, turn it counter clockwise to release.

## REAR DIRECTION INDICATOR AND REVERSING LAMP BULB REPLACEMENT



1. Remove the two fixings.
2. Direction indicator.
3. Reversing lamp

Turn the relevant bulb holder counter clockwise and pull to remove from the lamp unit. Grip the holder then press the bulb into the holder and turn counter clockwise to release the bulb. Pull the bulb up to remove.