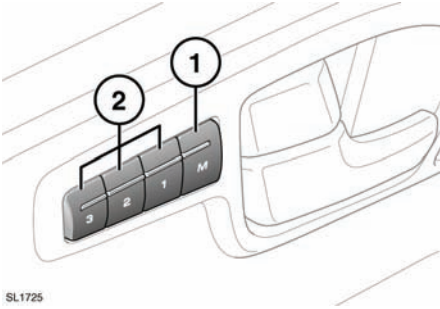


## DRIVING POSITION MEMORY

Front seat positions can be saved to vehicle memory.

Once you have adjusted the power operated driver's seat and the exterior mirrors, the vehicle can memorise the settings for future use. See **51, EXTERIOR MIRRORS**.



1. On the driver's door, press the memory store button to activate the memory function. The switch indicator will illuminate.
2. Press one of the preset buttons within five seconds to memorise the current settings. **Memory (1, 2 or 3) Settings Saved** will be displayed on the message centre, accompanied by an audible chime to confirm the settings have been saved to memory.

**Note:** A seat position will be saved to memory only during the five second active period.

**Note:** Any existing settings will be over-written when a new position is saved to memory.

To recall a saved position, press the relevant preset button (2). **Memory (1, 2 or 3) Recalled** will be displayed in the message centre.

## Coupe passenger seat

Saving a seat position to memory follows the same procedure as for the driver's seat. Press the memory button to store the current seat settings.

## EASY ENTRY/EXIT

When Easy entry/exit is enabled, the driver's seat will automatically lower when the ignition is switched off and the door is opened. Upon returning to the vehicle, when the driver's door is closed and the ignition is turned on, the seat will return to its previously set position.

See **59, VEHICLE INFORMATION AND SETTINGS MENU**.