

VALET MODE ACTIVATING

Valet mode allows the vehicle to be driven, e.g., by a parking attendant, but leaves the tailgate locked and restricts use of the touch screen. This prevents access to telephone numbers, navigation addresses and audio system settings.

From the **Home** menu, select **Valet**:

Enter a four digit Personal identification Number (PIN) (personally chosen). On completion, touch the **OK** soft key.

If you wish to cancel the PIN, select **Delete**.

After entering the PIN, you will be prompted to enter the PIN again. Enter the same PIN and touch **OK** to confirm.

A pop-up screen is displayed, confirming your vehicle is now in Valet mode.

INTERIOR PROTECTION

The interior protection feature of the full alarm system may be temporarily disabled via Alarm sensors in the Vehicle Settings menu. See **59, VEHICLE INFORMATION AND SETTINGS MENU**.

Note: *If the interior protection is temporarily disabled, it will be automatically enabled the next time the vehicle is double locked with the Smart Key.*

BATTERY-BACKED SOUNDER

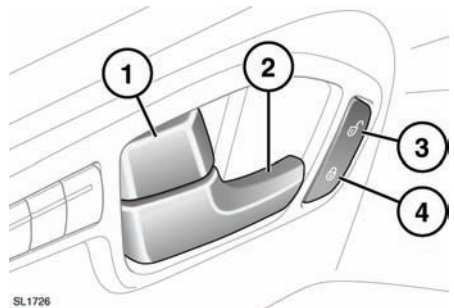
In certain markets, a battery backed sounder is fitted. This device will sound if it or the vehicle battery is disconnected while the security system is armed.

TILT SENSOR

The tilt sensor detects any change to the vehicle's angle to the ground. When the alarm is armed and the vehicle is double locked, any change in the vehicle's angle will activate the tilt alarm.

Note: *The tilt sensors can be temporarily disabled for the next time the vehicle is locked. See Alarm Sensors, **59, VEHICLE INFORMATION AND SETTINGS MENU**. The sensors will be automatically enabled the next time the vehicle is double locked with the Smart Key.*

DOOR LOCKS AND RELEASE LEVERS



1. Press a locking lever to lock a door. Pull the lever back to unlock. Operating either front door locking levers will lock or unlock all doors.
2. Pull a release lever to open a front door.
To unlock and open a rear door, first operate the lock lever, then pull the release lever.
3. Press the master unlock button to unlock all doors and tailgate.
4. With all doors closed, press the master lock button to lock all doors and tailgate.

Exiting the vehicle

Note: If the vehicle was locked with the Smart Key, operating an interior door release lever will unlock only that door. If the door is opened the alarm will sound.

Note: If the vehicle has been double locked, the interior door release levers will not operate. The vehicle must be unlocked using the Smart Key.