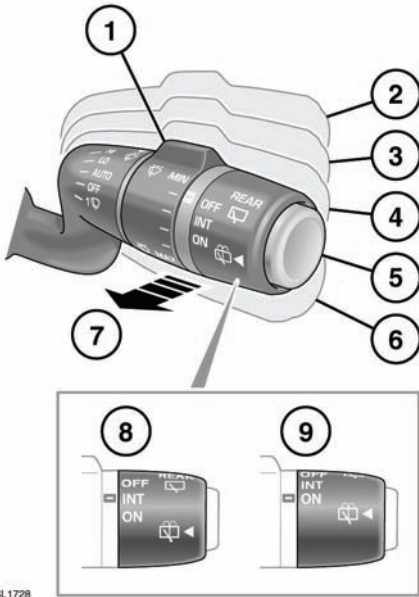


WIPER OPERATION



SL1728

1. Rotate the collar to adjust the intermittent period. The intermittent delay period will vary and is controlled by either vehicle speed or a rain sensor. The control must be in position (4) to be operational.



This is a dealer configurable option.

2. High speed wipe.
3. Low speed wipe.
4. In this position intermittent wipe is controlled by either a rain sensor or vehicle speed. The rain sensor located at the upper edge of the windscreen becomes active and will determine when the wipers are required to operate. If the rain sensor is not enabled by your dealer, intermittent wipe

will operate in conjunction with the setting of control (1).



This function can be enabled/disabled by your Dealer/Authorised Repairer.

5. Rear window wash/wipe:
 - Press and hold to operate the rear washer and wiper. The wiper will operate for two further wipes after the button is released. After a few seconds a drip wipe process will clear any residual water.
6. Single wipe of windscreen, or hold down for further continuous wipes.
7. Windscreen wash/wipe:
 - Pull and hold to operate the front washers and wipers. The wipers will operate for three further wipes after the stalk is released. After a few seconds a drip wipe will clear any residual water.
8. INT - rear wiper, intermittent operation. The intermittent delay period is controlled by adjusting the collar (1). The delay period and number of wipes will then be adjusted automatically depending on vehicle speed.



This is a dealer configurable option.

9. ON - rear wiper, continuous operation.
 - ! Do not operate the windscreen wipers on a dry screen.
 - ! In freezing or very hot conditions, ensure that the wipers have not stuck to the glass. Use the Winter park position and lift the wiper blades away from the screen.