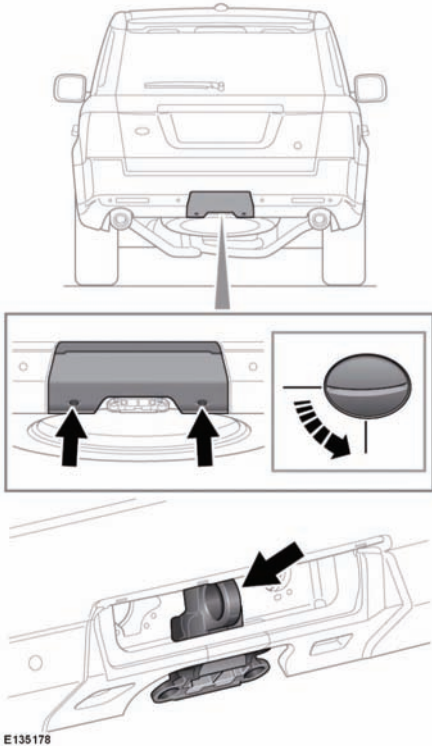


## REAR TOWING POINT

The rear towing point is located behind a removal panel in the lower rear bumper.

The rear towing point may be used to tow another vehicle if required.




E135178


1. Rotate each of the fasteners 90 degrees anticlockwise with a coin (or similar), to release the lower edge.
2. Rotate the cover to release the hooks at the top.
3. Remove the cover.
4. To refit, position the cover in place and ensure that the four hooks on the top edge engage in the body panel.


5. Rotate the fasteners 90 degrees clockwise to secure the cover.


## TOWING THE VEHICLE ON FOUR WHEELS


This procedure only applies to vehicles with a gear selector lever (6 speed transmission). On vehicles with a rotary gear selector (8 speed transmission), the transmission will automatically select P (Park) after the engine is switched off. This prevents the vehicle from being towed on all four wheels. See 77, **AUTOMATIC TRANSMISSION.**

 **Do not remove the Smart Key from the vehicle as this will lock the steering column.**

 **If the vehicle battery is to be disconnected, the steering column must be unlocked first. It is not possible to unlock the steering column with the battery disconnected.**

 **If the engine cannot be used during towing, there will be no power assistance to the braking or steering systems. This will result in much greater effort to steer and stop the vehicle and in a greatly increased stopping distance.**

 **Do not tow vehicles with a rotary gear selector (8 speed transmission) on all four wheels. Vehicle recovery should only be undertaken by suitably qualified personnel.**

 **Only tow the vehicle in a forward direction with all four wheels on the ground. Towing in a reverse direction with two wheels on the ground, will cause serious damage to the transmission.**