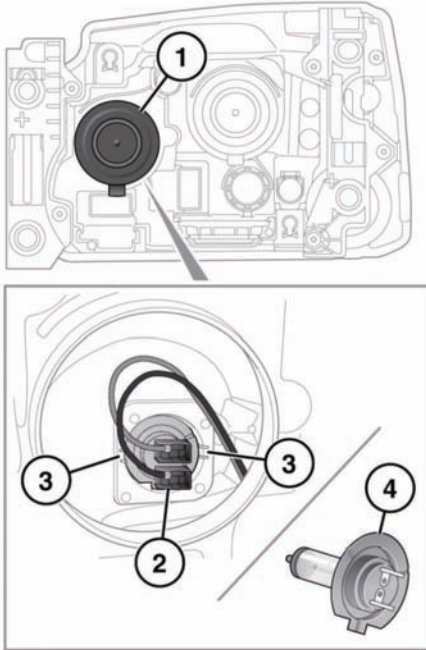


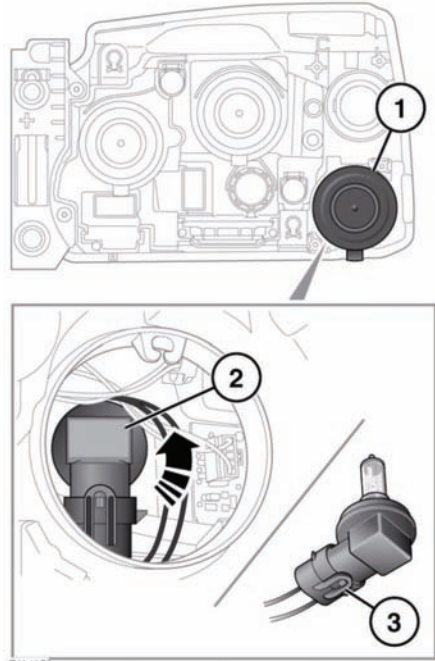
## HEADLAMP BULB REPLACEMENT - HALOGEN HIGH BEAM

- ⚠ Take care not to touch this type of bulb with your fingers; always use a cloth to handle them. If necessary, clean the bulb with methylated spirits to remove fingerprints.



1. Twist and lift off the domed cap.
2. Pull off the electrical connector.
3. Release the bulb from the retaining tags and remove bulb.
4. Insert the new bulb and repeat the above procedure in reverse order.

## STATIC BENDING BULB REPLACEMENT



1. Twist and lift off the domed cap.
2. Rotate bulb holder and release from lamp.
3. Lift the tab and disconnect the electrical connector to remove.