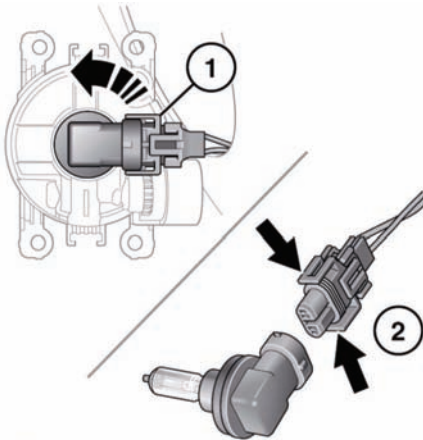


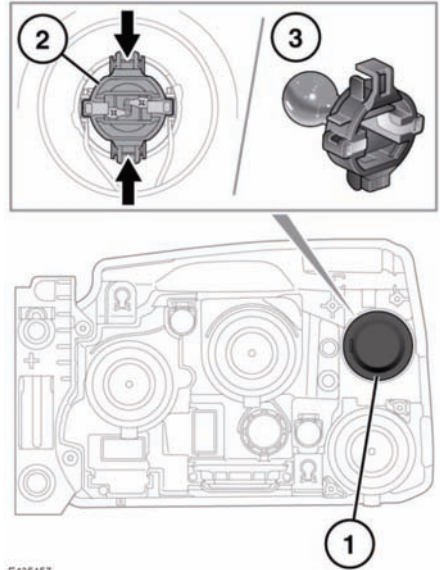
FRONT FOG LAMP BULB REPLACEMENT



E135156

1. Rotate the bulb holder (anticlockwise) and remove from the lamp unit.
2. Press the 2 clips together, and remove the electrical connector.

DIRECTION INDICATOR BULB REPLACEMENT



E135157

1. Twist and lift off the cap.
2. Press the catches and pull the bulb holder from the unit.
3. Push and twist to remove the bulb.