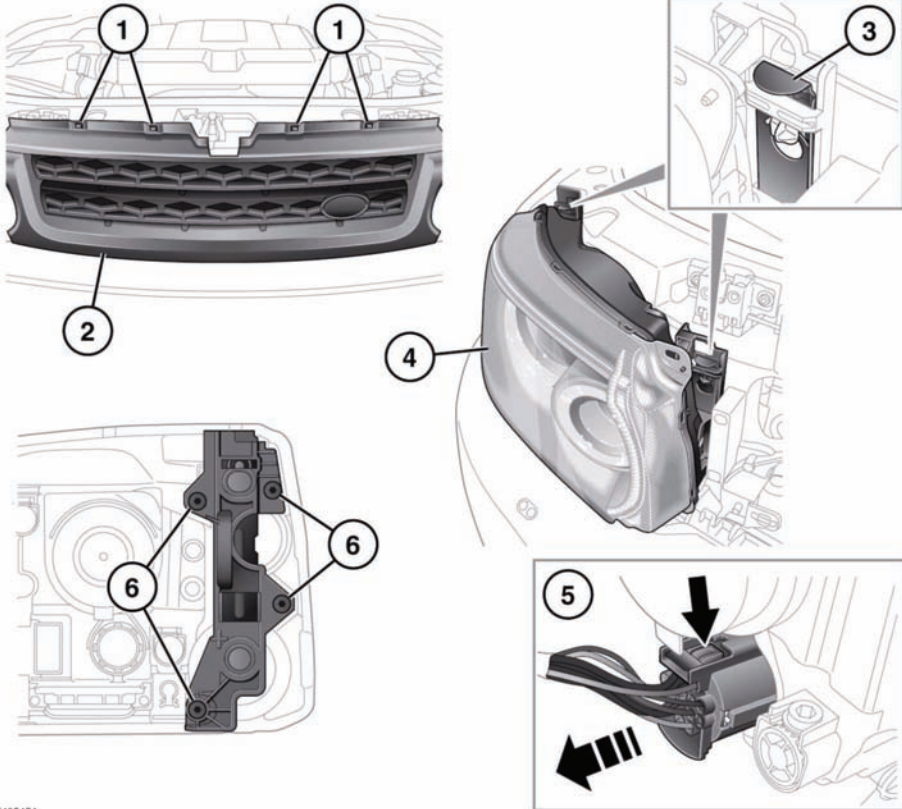


HEADLAMP REMOVAL



E135154

! Do not place the removed lamp unit face down on hard or abrasive surfaces. Doing so may scratch the surface of the lens.

1. Release the 4 upper clips and gently pull the top of the grille forwards.
2. Firmly but carefully pull the grille forwards to release the 2 lower clips. Place the grille where it will not be damaged.
3. Carefully lever up the locking tabs securing the rear of the headlamp. Hold the headlamp in position while doing so.

4. Holding the front of the lamp, lift forwards and clear of the body.

Note: The locking tabs (3) can be levered too far up, preventing the headlamp being released. If this happens ease the tabs down until the headlamp can be moved forward.

5. Disconnect the electrical connector from the back of the unit and remove the unit from the vehicle.