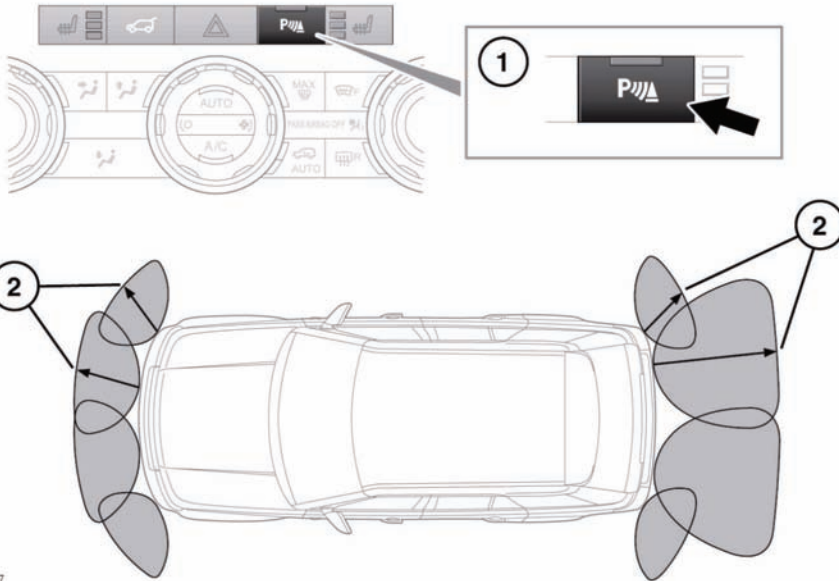


USING THE PARKING AID



E135627



Parking aids may not detect moving objects such as children and animals, until they are dangerously close. Always use extreme caution when manoeuvring.



PDC sensors may not detect some obstructions (e.g. narrow posts, small objects close to the ground and some objects with dark non-reflective surfaces).

Note: The rear sensors are automatically disabled when a trailer is connected.

1. When reverse gear is selected, the front and rear parking sensors are activated automatically, and the switch indicator will illuminate.

To manually activate the front sensors press the PDC button, a short confirmation tone will be heard, and the switch indicator will illuminate.

To turn off the system when active, press the button. The switch indicator will extinguish.

2. The range of the parking aid sensors varies between the front, rear and corners of the vehicle. The front sensors and rear corner sensors have an approximate range of 600 mm (24 inches). The centre rear sensors have an approximate range of 1500 mm (60 inches).