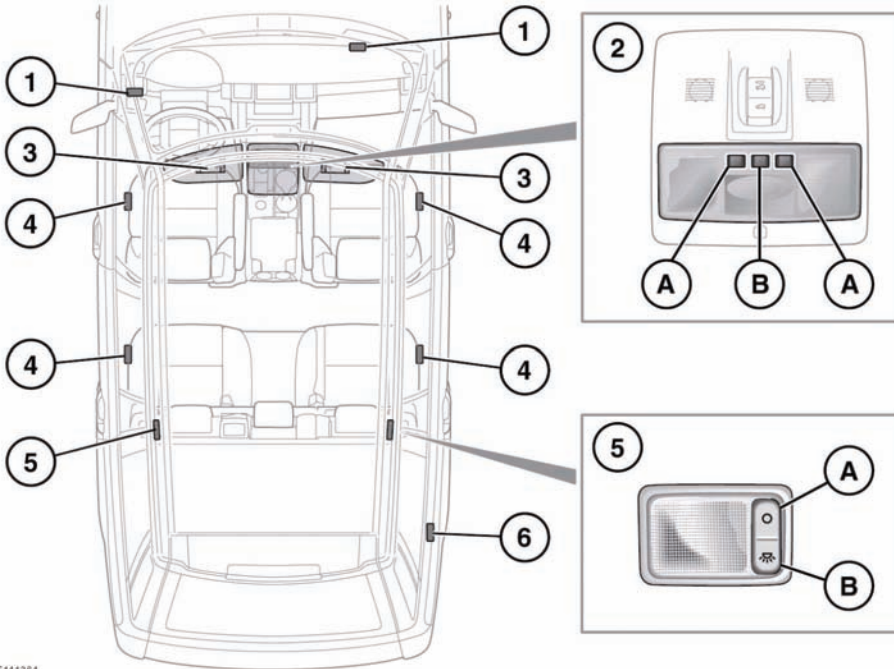


INTERIOR LIGHTS



E141364

1. Front footwell lamps: Automatically illuminate when the doors are opened.
2. Map reading/interior lamps:
 - A. Map light controls (on/off).
 - B. Main interior lamp control (on/off/auto).
To activate or deactivate auto mode, press and hold for longer than 3 seconds. In Auto mode the lamps will illuminate when a door is opened.
3. Vanity mirror lamps: Automatically illuminate.
4. Puddle lamps: Automatically illuminate when the doors are opened.
5. Rear courtesy lamps:
 - A. Press to turn off.
 - B. Press to turn on.
6. Loadspace lamp: Automatically illuminates when the tailgate is opened.