
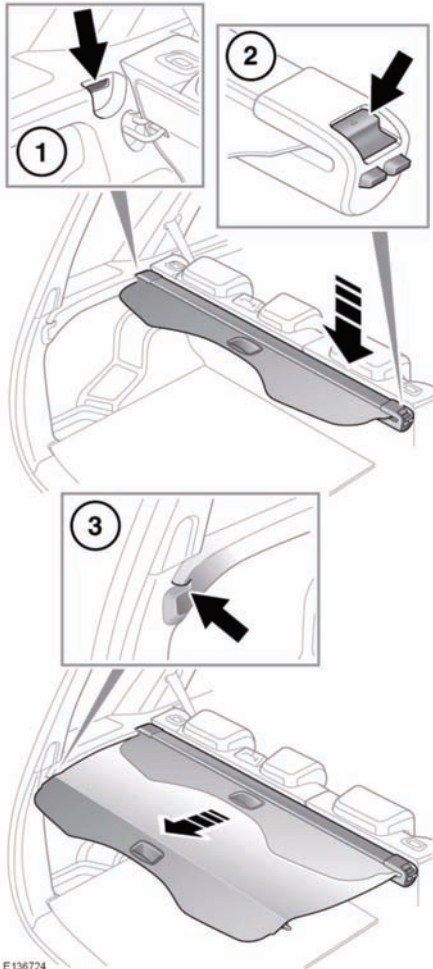


## LOADSPACE COVER

 **Never place objects on top of the luggage cover. During an accident or sudden manoeuvre, loose objects can cause serious injury or death.**




E136724

**1.** Insert the location peg on the left-hand end of the luggage cover into the slot.

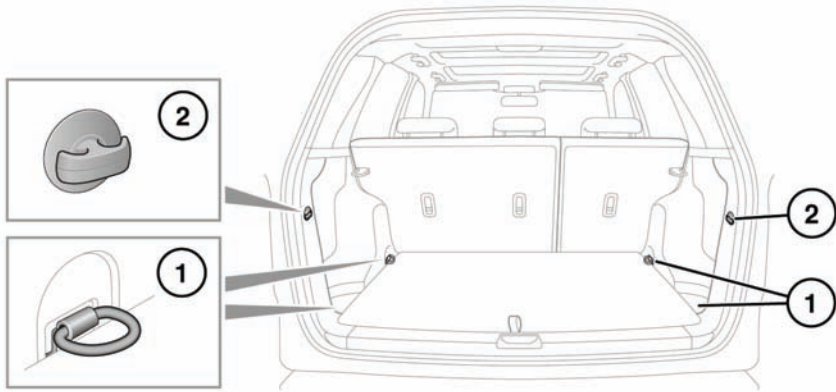
**2.** Lower the right-hand end into position by pulling back the release button.

Ensure that the release button returns to the locked position when the cover is in position.

**3.** Pull the luggage cover blind towards the rear of the vehicle. Engage the end pegs into the recesses provided in the load space side trims.

 **Do not store the loadspace cover loose in the vehicle.**

## LUGGAGE ANCHOR POINTS



E136726



**All items carried in the luggage area should be properly secured.**

1. Load securing rings.
  - To assist in safely securing large items of luggage, four fixing points are located in the rear loadspace floor.
2. Bag hooks.
  - The bag hooks should only be used to secure light items such as shopping bags.

**Note:** A range of approved luggage retention accessories are available from your Land Rover Dealer/Authorised Repairer.

The loadspace floor is reversible to allow a choice of carpeted or hard surfaces to be made.

## LOADSPACE FLOOR



**When removing or replacing the loadspace floor, take care to avoid getting your hands or fingers trapped between the floor panel and the vehicle.**



**When removing or replacing the loadspace floor ensure that children and pets are kept at a safe distance to avoid injury.**

## Load carrying



E139727

To reverse the loadspace floor:-

- 1.** Raise the floor panel.
- 2.** Pull the panel towards the rear of the vehicle and remove it.
- 3.** Turn the required floor finish upwards.
- 4.** Insert the forward edge of the panel into the retaining channel and lower it into position.