

ENGINE SPECIFICATIONS

Data	Diesel engine
Number of cylinders	4
Displacement (cubic centimetres)	2198 cm ³
Firing order	1-3-4-2
Compression ratio	15.64:1
Idle speed	800 rpm
Power output kW (PS)	90 (122) at 3500 rpm
Maximum torque Nm	360 at 2000 rpm

WEIGHTS

UK and Europe

Variant	Maximum front axle weight	Maximum rear axle weight	Gross Vehicle Weight (GVW)
90 Hard Top / Soft Top / Pick up / Station Wagon	1250 kg 2756 lbs	1500 kg 3307 lbs	2505 kg 5523 lbs
110 Hard Top / Soft Top / Pick up / Station Wagon	1250 kg 2756 lbs	1980 kg 4365 lbs	3050 kg 6724 lbs
130 Double Cab	1580 kg 3483 lbs	2200 kg 4850 lb	3380 kg 7452 lb

Note: Maximum gross vehicle weight is not calculated by adding together front and rear axle loads. The individual maximum axle weights and gross vehicle weight must not be exceeded.

Rest of World

Variant	Maximum front axle weight	Maximum rear axle weight	Gross Vehicle Weight (GVW)
90 Standard Duty	1250 kg 2756 lbs	1380 kg 3042 lbs	2400 kg 5291 lbs
90 Heavy Duty	1250 kg 2756 lbs	1500 kg 3307 lbs	2550 kg 5622 lbs 2750 kg - Australia only 6063 lbs - Australia only
110 Hard Top / Soft Top / Pick up / Station Wagon	1250 kg 2756 lbs	1850 kg 4078 lbs	3050 kg 6724 lbs
110 Heavy Duty	1580 kg 3483 lbs	2200 kg 4850 lb	3500 kg 7716 lb 3510 kg - Israel only 7738 lb - Israel only
130 Double Cab	1580 kg 3483 lbs	2200 kg 4850 lb	3500 kg 7716 lb 3510 kg - Israel only 7738 lb - Israel only

Note: Maximum gross vehicle weight is not calculated by adding together front and rear axle loads. The individual maximum axle weights and gross vehicle weight must not be exceeded.

Technical specifications

Kerb Weight

Unladen vehicle with 68 kg driver, 7 kg luggage and 90% fuel weight.

Variant	Weight - no options	Weight - all options
90 Pick up	1739 kg - 3834 lb	1828 kg - 4030 lb
90 Hard Top	1760 kg - 3880 lb	1872 kg - 4127 lb
90 Soft Top	1745 kg - 3847 lb	1831 kg - 4037 lb
90 Station Wagon	1876 kg - 4136 lb	1976 kg - 4356 lb
110 Pick up	1911 kg - 4213 lb	2022 kg - 4458 lb
110 Hard Top	1959 kg - 4319 lb	2084 kg - 4594 lb
110 Soft Top	1854 kg - 4087 lb	1948 kg - 4295 lb
110 Station Wagon	2056 kg - 4533 lb	2246 kg - 4952 lb
110 HC Pick up	1932 kg - 4259 lb	2043 kg - 4504 lb
110 Double Cab Pick up	2036 kg - 4489 lb	2159 kg - 4760 lb
110 Chassis Cab	1781 kg - 3926 lb	1892 kg - 4171 lb
130 Double Cab HC Pick up	2143 kg - 4725 lb	2206 kg - 4863 lb
130 Double Chassis Cab	2018 kg - 4449 lb	2081 kg - 4588 lb
130 Chassis Cab	1852 kg - 4083 lb	1907 kg - 4204 lb

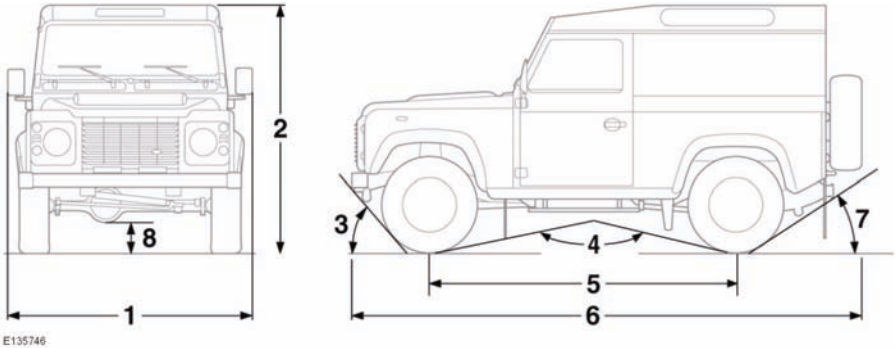
Gross Train Weight (GTW)

GTW = Maximum permissible weight of vehicle and braked trailer including their respective loads.

Variant	Weight	Market applicability
90	6005 kg - 13239 lb	UK and Europe
110 Standard Duty	6550 kg - 14440 lb	UK and Europe
110 Heavy Duty	7000 kg - 15432 lb	Europe only
130 Double Cab	6880 kg - 15167 lb	UK and Europe
90 Standard Duty	5900 kg - 13007 lb	Rest of World
90 Heavy Duty	6050 kg - 13338 lb	Rest of World
110 Standard Duty	6550 kg - 14440 lb	Rest of World
110 Heavy Duty	7000 kg - 15432 lb	Rest of World
130 Double Cab	7000 kg - 15432 lb	Rest of World

DIMENSIONS

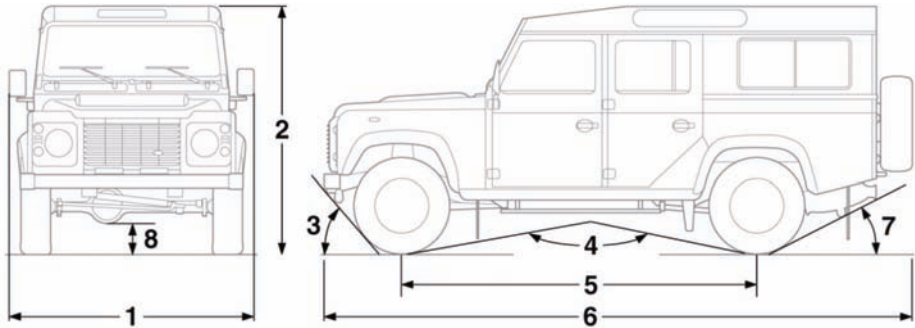
Defender 90



Item	Description	mm / inches	Degrees
1	Width including mirrors	1992 / 78	-
1	Width with mirrors folded	1790 / 70	-
2	Maximum height - Soft Top	2035 / 80	-
2	Maximum height - Station wagon	2021 / 79.5	-
3	Approach angle	-	47°
4	Breakover / Ramp angle	-	147°
5	Wheelbase	2360 / 93	-
6	Overall length - Soft Top	3649 / 144	-
6	Overall length - Station Wagon	3940 / 155	-
7	Departure angle without tow hitch	-	47°
8	Ground clearance with 235 tyres	250 / 9.8	-
-	Maximum wading depth	500 / 20	-
-	Maximum gradient	-	45°
-	Maximum traverse angle	-	35°

Technical specifications

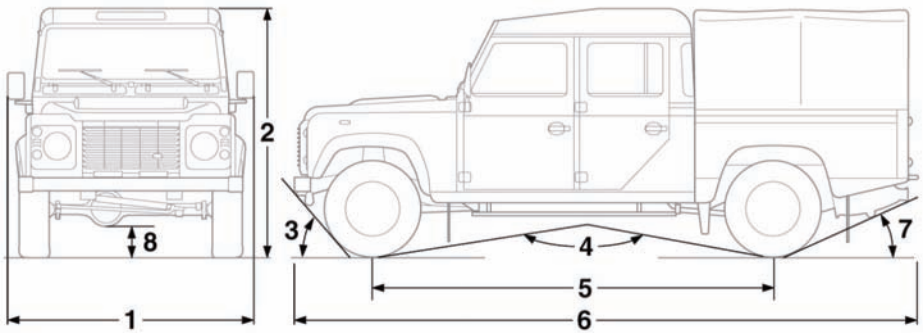
Defender 110



E135747

Item	Description	mm / inches	Degrees
1	Width including mirrors	1992 / 78	-
1	Width with mirrors folded	1790 / 70	-
2	Maximum height - Soft Top	2035 / 80	-
2	Maximum height - Station wagon	2021 / 79.5	-
3	Approach angle	-	49°
4	Breakover / Ramp angle	-	150°
5	Wheelbase	2794 / 110	-
6	Overall length - Soft Top	4370 / 172	-
6	Overall length - Station Wagon	4685 / 184.5	-
6	Overall length - HCPU	4631 / 182.3	-
6	Overall length - Double cab	4438 / 174.7	-
7	Departure angle without tow hitch	-	35°
8	Ground clearance with 235 tyres	250 / 9.8	-
-	Maximum wading depth	500 / 20	-
-	Maximum gradient	-	45°
-	Maximum traverse angle	-	35°

Defender 130



E135748

Item	Description	mm / inches	Degrees
1	Width including mirrors	1992 / 78	-
1	Width with mirrors folded	1790 / 70	-
2	Maximum height	2035 / 80	-
3	Approach angle	-	49°
4	Breakover / Ramp angle	-	153°
5	Wheelbase	3225 / 127	-
6	Overall length - double cab HCPU	5170 / 204	-
7	Departure angle without tow hitch	-	35°
8	Ground clearance with 7.50 tyres	250 / 9.8	-
-	Maximum wading depth	500 / 20	-
-	Maximum gradient	-	45°
-	Maximum traverse angle	-	35°

WHEEL ALIGNMENT DATA (CHINA)

Wheel alignment - front
- 10° +/- 10°

CLUTCH AND BRAKE PEDAL TRAVEL (CHINA)

The clutch and brake pedal travel are set at the factory and are non-adjustable.

LUBRICANTS AND FLUIDS

Land Rover recommends:



Part	Specification
Engine oil	SAE 5W-30
Manual gearbox oil	Castrol BOT 130M or equivalent
Transfer gearbox	Castrol Syntrox 75W/90 or Texaco Multigear 75W/90R or equivalent
Front axle swivel pin housings	Texaco Molytex EP00 or equivalent
Front differential oil	Texaco Geartex EP 85W/90 or equivalent
Rear differential oil	Texaco Geartex EP 85W/90 or equivalent
Gearbox extension shaft to transfer box	Weicon Anti Seize Standard Grade or equivalent
Wheel hubs	Castrol Optimal Olista Long Time 2 grease or equivalent
Clutch fluid	Shell Donax YB, Shell DOT4 ESL or synthetic compatible fluid meeting FMVSS 116 DOT4 specification
Power steering fluid	Texaco Cold Climate 33270 or equivalent
Brake fluid	Shell Donax YB, Shell DOT4 ESL or synthetic compatible fluid meeting FMVSS 116 DOT4 specification
Screen washer	Screen wash with frost protection
Coolant	Use only a 50% mix of water and Texaco XLC or Havoline XLC or equivalent

CAPACITIES

Item	Capacity
Engine oil refill and filter change	7 litres (12.3 pints)
Engine oil MIN to MAX on dipstick	2 litres (3.5 pints)
Manual gearbox (refill)	2.4 litres (4.2 pints)
Transfer gearbox	2.3 litres (4.1 pints)
Rear differential	1.7 litres (3 pints)
Front axle swivel pin housings	0.4 litres (0.7 pints)
Washer reservoir	5 litres (8.8 pints)
Cooling system	11.5 litres (20.2 pints)

The quoted capacities are approximate and provided as a guide only. All oil levels must be checked using the dipstick or level plugs as applicable.

BULB SPECIFICATION



Before attempting to replace a bulb, ensure that both the affected lamp and the vehicle's ignition are turned off. If the circuit remains live a short circuit can occur which may damage the vehicle's electrical system.

Lamp	Specification	Power (Watts)
Halogen headlamp (Low and High beam).	H4	60/55
Front side lamps.	W5W	5
Front direction indicators.	PY21W	21
Rear direction indicators.	PY21W	21
Side repeater lamps.	W5W	5
Reverse lamps.	P21W	21
Rear fog lamps.	P21W	21
Stop lamps.	P21W	21
Tail lamps.	W5W	5
High mounted stop lamp	P21W	21
Number plate lamps.	W4W	4
All Interior lamps.	W10W	10

ACCESSORY WHEELS AND TYRES



1 _____ 2 _____

3 _____

E135749

Note: Use the spaces to record accessory wheel and tyre information.

1. Front tyre pressure.
2. Rear tyre pressure.
3. Wheel and tyre information (size, speed rating, etc.).



Contact your Land Rover Dealer/Authorised Repairer before fitting any accessory wheels and tyres.

SPEED LIMITER

Depending on market regulations and/or vehicle use, the vehicle may be fitted with a speed limiter.



Unless required or prohibited by law, the speed limiter can be disabled or enabled by your Dealer/Authorised Repairer.