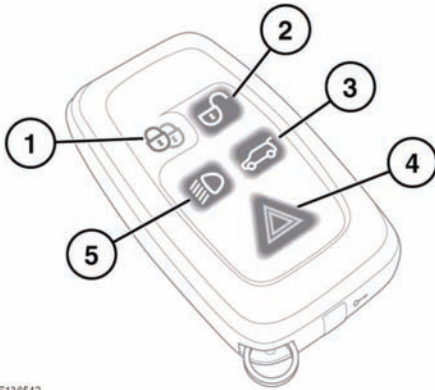
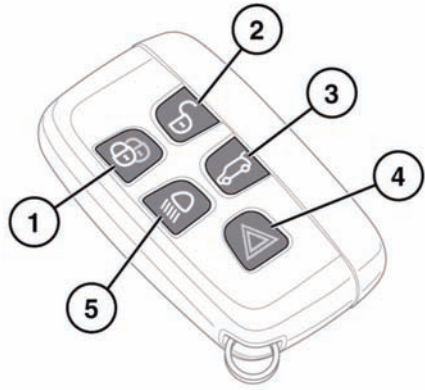


UNLOCKING THE VEHICLE



E138542



⚠ WARNING

To prevent accidental or unauthorized operation, never leave the Smart Key unattended in the vehicle. Never leave children or animals unattended in the vehicle. The vehicle can be operated when the Smart Key is inside the vehicle.

Note: There are two designs of Smart Key, refer to the information which is relevant to the design of Smart Key supplied with the vehicle.

Note: The operational range of the Smart Key will vary considerably depending on atmospheric conditions and interference from other transmitting devices.

Note: If any door or the tailgate is unlocked 10 times within a short period, the latch is disabled for approximately one minute.

The vehicle is supplied with 2 Smart Keys. The Smart Keys act as remote controls for the locking and alarm system, and allow the vehicle to be locked, unlocked and driven without the use of a conventional key. See **12, KEYLESS ENTRY**, **15, LOCKING AND ARMING THE ALARM** and **77, STARTING THE ENGINE**.

1. Lock: Press once to lock the vehicle. All doors and the tailgate will lock (but can still be unlocked from inside) and the perimeter alarm will arm. See **15, LOCKING AND ARMING THE ALARM**.
2. Your vehicle can be unlocked using either Single or Multi-point entry.
 - Single point entry. The first press unlocks the driver's door and enables the other doors to be opened from the inside. The hazard warning lamps will flash twice to indicate that the vehicle is unlocked and the alarm has been disarmed. A second press unlocks the passenger doors and the loadspace.
 - Multi point entry. Press briefly to unlock all the doors and loadspace and to disarm the alarm. The hazard warning lamps will flash twice to indicate that the vehicle is unlocked and the alarm has been disarmed.

To change from Single to Multi-point entry (or vice versa), press both the lock and unlock buttons simultaneously for three seconds. The hazard warning lamps will flash twice to confirm the change.

Entering the vehicle

Note: If a door or the tailgate are not opened within 1 minute of unlocking the vehicle, doors will lock again automatically.

3. Tailgate release:

Press briefly to release the tailgate. The vehicle security system will remain active while the tailgate is open, but intrusion and inclination sensing systems will be disabled.

On closing of the tailgate, the hazard warning lamps will flash after a few seconds to confirm the full alarm system has been reactivated (if previously armed). Also see **13, OPENING AND CLOSING THE TAILGATE**.

4. Panic alarm:

- Press and hold for 3 seconds (or press 3 times within 3 seconds) to activate the horn and the hazard lamps.

Note: The horn and hazard lamps will switch off automatically after 2 minutes and 45 seconds.

- Once active for more than 5 seconds, the alarm can be cancelled by pressing the button and holding for 3 seconds (or pressing 3 times within 3 seconds).
- The emergency alarm will also be cancelled if a valid smart key is present when the START/STOP button is pressed.

5. Approach lighting:

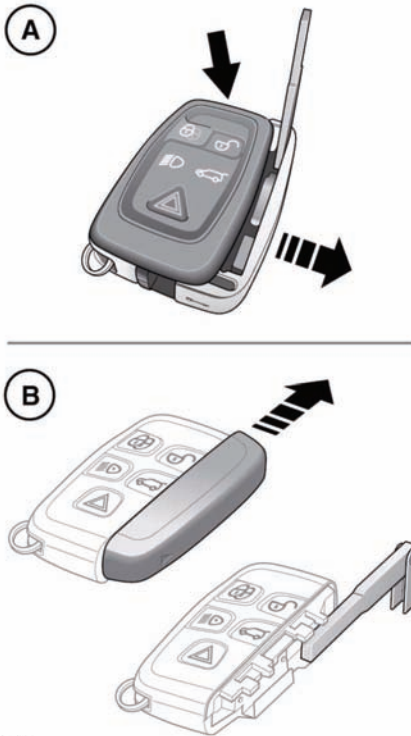
- When approaching the vehicle during darkness, press to switch on the approach illumination. Press again to turn the approach lamps off.
- The approach illumination period set at the factory is 30 seconds. This delay period may be configured to provide illumination lasting between 0 and 180 seconds. See **57, INTERACTIVE CONTROLS**.

Note: A replacement Smart Key can only be obtained from your Land Rover Retailer/Authorized Repairer. The Land Rover Retailer/Authorized Repairer will require proof of ownership.

Notify your Land Rover Retailer/Authorized Repairer immediately if a Smart Key is lost or stolen.

Note: The fuel filler flap can only be opened when the vehicle is unlocked.

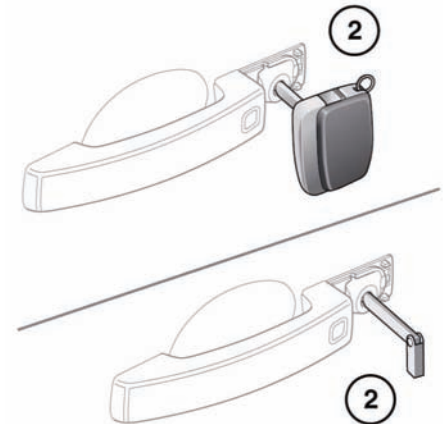
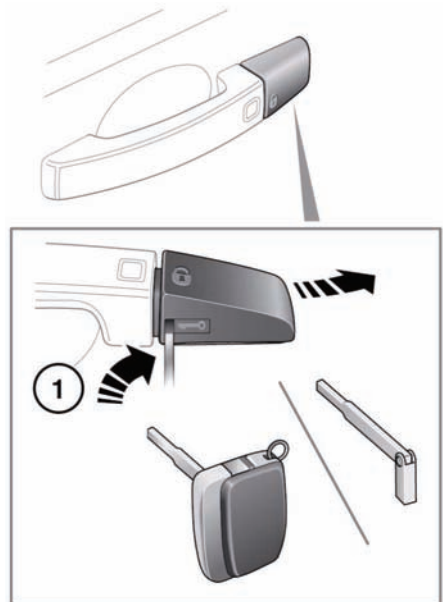
EMERGENCY KEY



E136543

Note: There are two designs of Smart Key, refer to the information which is relevant to the design of Smart Key supplied with the vehicle.

- A. Press emergency key release button and pull out side cover to release the key.
- B. Slide and remove cover to expose the emergency key.



E136544

- 1. Insert the key blade into the slot at the base of the door lock cover and gently lever the key blade upwards.
Carefully twist the key blade, to lever the cover off the retaining clips.

Entering the vehicle

2. Insert the key blade into the exposed lock to operate.

To lock: Ensure all doors are closed, then turn the key blade towards the front of the vehicle and release. This will lock the doors but will not arm the alarm.

To unlock: Turn the key blade towards the rear of the vehicle and release. If the security system is disarmed, all doors and the tailgate will be unlocked. If the security system is armed, only the driver's door will unlock.

If the vehicle is unlocked using the emergency key blade with the security system armed, the alarm will sound when the door is unlocked. To deactivate the alarm, press the unlock button on the Smart Key or press the engine START/STOP button with the Smart Key inside the vehicle.

GLOBAL OPENING

Press and hold the unlock button for 3 seconds to unlock the vehicle and open all of the windows.

To cancel global opening, press any of the buttons on the smart key or operate the driver's window switch. To stop a particular window opening, operate the relevant window switch.

KEYLESS ENTRY

Note: *The Smart Key may not be detected if it is placed within a metal container or if it is shielded by a device with a back-lit LCD screen, such as a smart phone, laptop (including laptop bag), games console etc. Keep the Smart Key clear of such devices when attempting Keyless entry or Keyless starting.*

Keyless entry allows the vehicle to be unlocked or disarmed, simply by operating any door handle. For keyless entry to activate, the Smart Key must be within 3 feet (1.0 m) of the door handle when it is operated. When keyless entry operates, the alarm will be disarmed and the doors unlocked according to the current security setting (single or multipoint entry). The hazard warning lamps will flash twice as confirmation (in some markets an audible warning will sound twice).

Note: *The Smart Key needs only to be on the driver's person or in a non-metallic bag or briefcase. It does not need to be exposed or handled.*

Note: *If single point entry is the current security setting, and a door other than the driver's door is opened first, the vehicle will behave as if multi-point entry is active (i.e. all doors will unlock).*

REMOTE KEY FOB SYSTEM TRANSMITTERS

⚠ WARNING

Any person fitted with an implanted medical device should be kept at a distance of at least 8.7 inches (22 cm) away from any transmitter mounted in the vehicle. This is to avoid any possibility of interference between the system and the device. Interference may cause the implanted medical device to malfunction, causing serious injury or death.

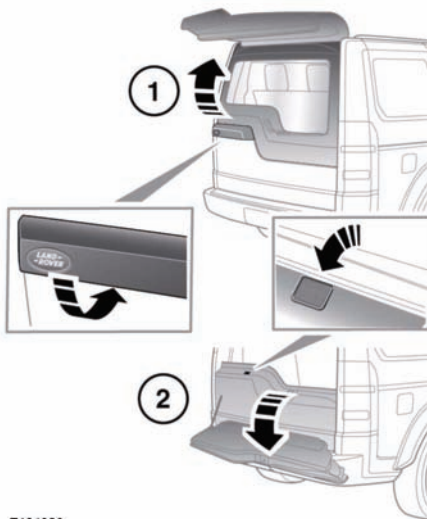
For information concerning the location of the security system transmitters, see 184, REMOTE KEY FOB TRANSMITTER LOCATIONS.

DRIVE-AWAY LOCKING

Drive-away locking automatically locks all the doors when the vehicle is in motion. This feature can be enabled/disabled via the Vehicle Set-up menu (see 57, **INTERACTIVE CONTROLS**).

Note: Pressing the lock or unlock button on the Smart Key will override drive-away locking for the current journey.

OPENING AND CLOSING THE TAILGATE



E134908

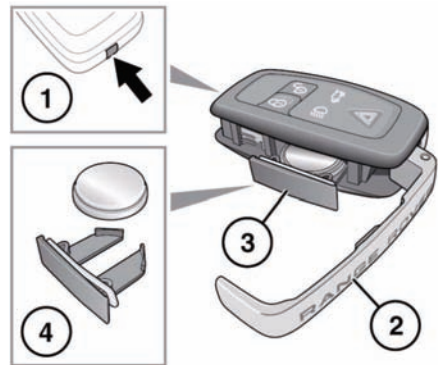
Upper tailgate: Unlock the vehicle and press the touchpad (1) on the underside of the exterior handle. Pull the tailgate upwards to open.

Lower tailgate: With the upper tailgate open, press the touchpad on the lower tailgate waist moulding (2). Lower the tailgate to open.

REMOTE KEY FOB BATTERY REPLACEMENT

Note: There are two designs of Smart Key, refer to the information which is relevant to the design of Smart Key supplied with the vehicle.

When the battery needs renewing, there will be a significant decrease in the effective range and the message **SMART KEY BATTERY LOW** will be displayed in the message centre.

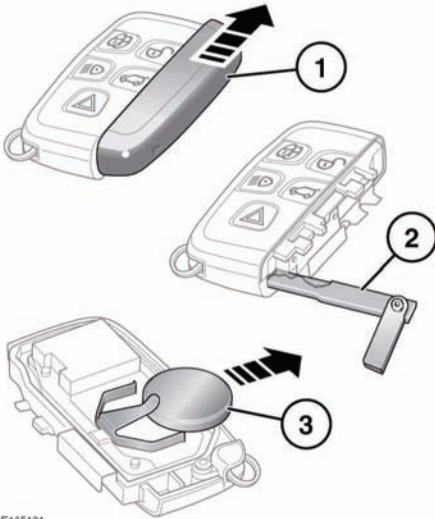


E134815

To renew the battery:

1. Press and hold the release button.
2. Open the side cover.
3. Remove the battery drawer and remove the battery.
4. Fit a new CR2032 type battery (available from your Land Rover Retailer/Authorized Repairer), with the positive (+) side upwards.

Entering the vehicle



E135421

To renew the battery:

1. Slide the cover in the direction of the arrow until a click is heard. remove the cover.
2. Use the emergency key blade to separate the smart key body.
3. Fit a new CR2032 type battery (available from your Land Rover Retailer/Authorized Repairer), with the positive (+) side upwards.

Note: Avoid touching the new battery, as moisture/oil from fingers can reduce battery life and corrode the contacts.

Refit the parts in reverse order, ensuring that they click securely into place.



Battery disposal: Used batteries must be disposed of correctly, as they contain harmful substances. Seek advice on disposal from your Land Rover Retailer/Authorized Repairer and/or your local authority.