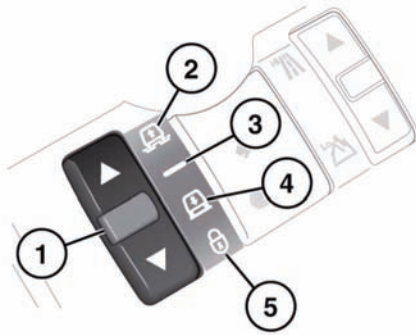


AIR SUSPENSION SYSTEM

⚠ WARNING

Ensure that the vehicle is clear of people and obstacles before lowering the suspension. The difference between Off-road height and Access height is 4.1 in. (105 mm).

The air suspension system may be used to raise or lower the height of the vehicle, using the air suspension control switch.



E134945

1. Raise/lower switch: The up and down arrows will illuminate when a height change is in progress.
2. Off-road height indicator: Off-road height is 2.2 in. (55 mm) higher than normal height.
3. Normal height indicator.
4. Access height indicator: Access height is 2.0 in. (50 mm) lower than normal height.
5. System lock indicator.

Note: The system may raise or lower the vehicle automatically (e.g. if a Terrain response program requires it, or if the vehicle is traveling at high speed).

Changes to the height of the vehicle must be made when all doors are closed. Except for remote operation (see **84, REMOTE OPERATION**), the engine must also be running. If a door is opened during a height change, the height change will be suspended. If the door is closed within 90 seconds, the height change will then complete. If the doors are not closed in time, the desired height should be reselected once the doors are closed. Driving off will return the vehicle to normal height.

Note: If the air suspension is used many times in succession, speed of operation may slow.

SELECTING OFF-ROAD HEIGHT

Off-road height can be selected by pressing up on the raise/lower switch (1) at any speed up to 24 mph (40 km/h). If selected, and the speed exceeds 30 mph (50 km/h), a warning will appear in the message center and the system will return to normal height.

SELECTING ACCESS HEIGHT

To select access height from normal height, press down on the raise/lower switch. To select access height from Off-road height, press down on the switch once, and then a second time while lowering is in progress. **ACCESS HEIGHT SELECTED** will be displayed in the message center.

If the vehicle speed is greater than 12 mph (20 km/h), the system will wait for the speed to decrease. If it does not fall below this speed within 1 minute, the height change will be cancelled.

Once the speed falls below 12 mph (20 km/h) the vehicle will be partly lowered. When the speed falls below 5 mph (8 km/h) within 1 minute, full access height will be reached.

Note: Access height may be selected up to 40 seconds after the ignition is switched off, provided the driver's door has not been opened.

When vehicle speed rises above 6 mph (10 km/h), the vehicle will return to the height access height was selected from.

CRAWL MODE (LOCKED ACCESS HEIGHT)

When the vehicle is at Normal height and traveling less than 22 mph (35 km/h), or at Access height, press down on the raise/lower switch for longer than 3 seconds to lock the vehicle at access height. The system lock indicator (5) will illuminate and **SUSPENSION LOCKED AT ACCESS HEIGHT** will be displayed in the message center.

The vehicle may then be driven slowly at access height, to assist with maneuvering in confined areas (e.g. multi-storey car parks).

To cancel crawl mode, press up on the raise/lower switch for longer than 1 second. The system lock indicator will extinguish and if the vehicle is traveling faster than 6 mph (10 km/h) it will return to normal height.

Crawl mode will be cancelled automatically if the vehicle speed exceeds 24 mph (40 km/h).

EXTENDED OFF-ROAD HEIGHT

If grounded in severe off-road conditions, the system may automatically enter Extended mode. The off-road height indicator flashes and a message will be displayed in the message center. In extended mode, the suspension will raise above off-road height to assist in clearing the obstacle.

Once extended mode height has been achieved, the driver may request additional lifting if required. This is achieved by pressing and holding the raise switch for longer than 3 seconds while pressing the brake pedal.

To cancel extended mode, press the lower switch (1). Extended mode will automatically be cancelled if the vehicle speed remains greater than 3 mph (5 km/h) for 30 seconds.

Note: Extended mode cannot be selected manually.

REMOTE OPERATION

⚠ WARNING

The Smart Key can be operated from inside or outside the vehicle. It is therefore important that it is kept out of the reach of children at all times.

⚠ WARNING

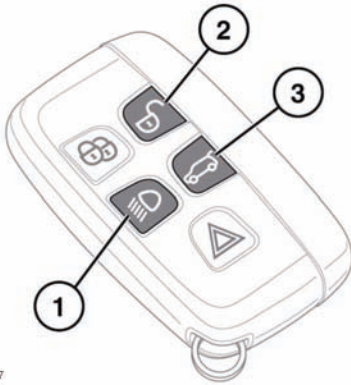
When operating the Smart Key from inside the vehicle, make sure that an adult checks for obstructions under the vehicle and supervises the raising or lowering process.

NOTICE

Care should be taken with all height changes when a trailer is attached to the vehicle.

The buttons on the Smart Key may be used to operate the air suspension system, allowing the vehicle to be raised or lowered remotely. This may be useful in attaching a trailer or loading the vehicle.

To change the suspension height using the Smart Key, the vehicle must be stationary, all the doors closed and the hazard warning lamps switched on.



E134947

To raise the vehicle press and hold button **(1)**, then press and hold button **(2)**.

To lower the vehicle press and hold button **(1)**, then press and hold button **(3)**

If the starting height is above or below normal height, movement will cease when normal height is reached. Release the Smart Key buttons and press again to continue.