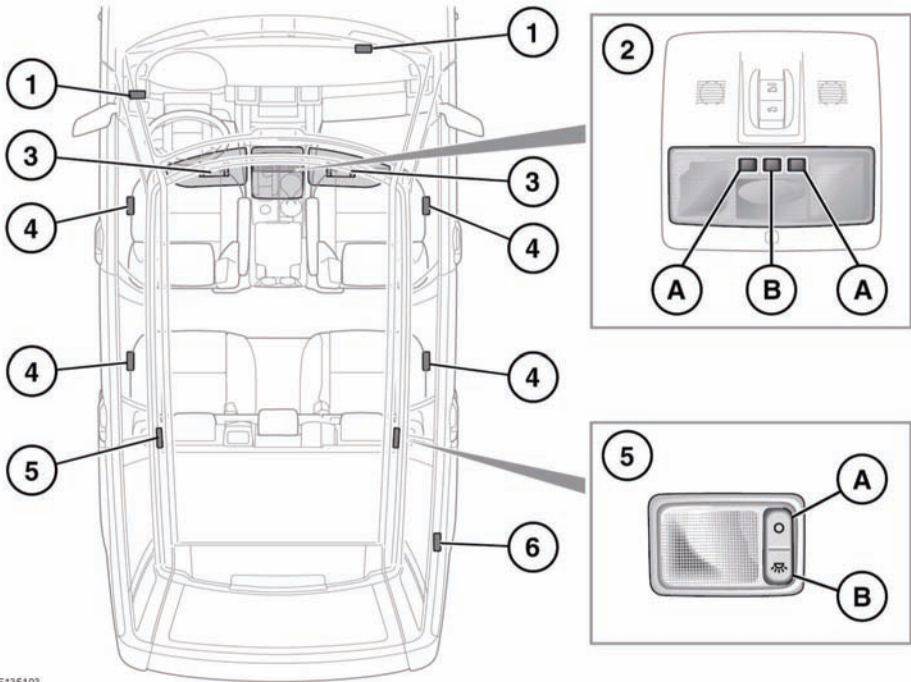


INTERIOR LIGHTS



E135103

1. Front footwell lamps: Automatically illuminate when the doors are opened.
2. Map reading/interior lamps:
 - Map light controls (on/off).
 - Main interior lamp control (on/off/Auto).

To activate or deactivate Auto mode, press and hold for longer than 3 seconds. In Auto mode the lamps will illuminate when a door is opened.
3. Vanity mirror lamps: Illuminate automatically.
4. Puddle lamps: Automatically illuminate when the doors are opened.
5. Rear courtesy lamps:
 - Press to turn off.
 - Press to turn on.
6. Loadspace lamp: Automatically illuminates when the tailgate is opened.