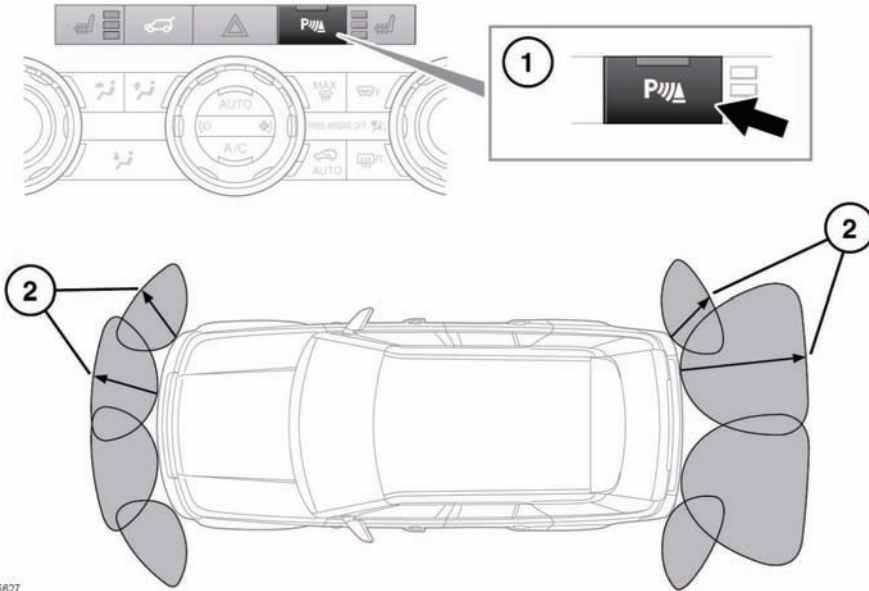


USING THE PARKING AID



E135627

⚠ WARNING

Parking aids may not detect moving objects, such as children and animals, until they are dangerously close. Always use extreme caution when maneuvering, and always use your mirrors.

NOTICE

PDC sensors may not detect some obstructions (e.g. narrow posts, small objects close to the ground and some objects with dark non-reflective surfaces). Parking aids are for guidance only and are not intended to replace the driver's visual checks for obstructions or objects when maneuvering.

1. When reverse gear is selected, the front and rear parking sensors are activated automatically, and the switch indicator will illuminate.

To manually activate the front sensors press the PDC button, a short confirmation tone will be heard, and the switch indicator will illuminate.

To turn off the system when active, press the button. The switch indicator will extinguish.

2. The range of the parking aid sensors varies between the front, rear and corners of the vehicle. The front sensors and rear corner sensors have an approximate range of 24 inches (600 mm). The center rear sensors have an approximate range of 60 inches (1500 mm).

The front sensors will remain active as long as the vehicle's speed does not exceed 10 mph (16 km/h).

Selecting **N** from **R** will keep front and rear sensors active.

When objects are detected, the parking aid emits a warning tone which increases in frequency as the vehicle gets closer to the object and then becomes constant when the obstacle is within 12 inches (300 mm).

Note: The front parking aid provides an audible proximity warning when driving forwards and when reversing.

CLEANING THE SENSORS

NOTICE

When washing the vehicle do not aim high pressure water jets directly at the sensors. Do not use abrasive materials or hard/sharp objects to clean the sensors. Only use approved vehicle shampoo.

The sensors should be kept clean to maintain accuracy and performance.

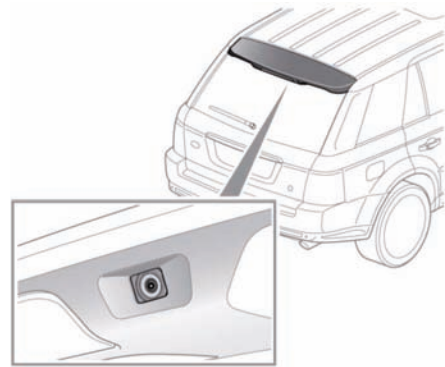
PARKING AID SYSTEM FAULT

If a system fault is detected, a long high-pitched tone will sound, and the switch indicator will flash. Contact your Land Rover Retailer/Authorized Repairer as soon as possible.

REAR VIEW CAMERA

⚠ WARNING

It remains the driver's responsibility to detect obstacles and estimate the vehicle's distance from them when reversing.



When reverse gear is selected, the screen automatically displays a wide angle, color image from the rear of your vehicle.

The rear view camera system provides a rear view image to assist in reversing the vehicle. Overlaid on the image are reversing guidelines.

NOTICE

Some overhanging objects or barriers which could cause damage to the vehicle may not be detected by the camera.

Note: A return icon is displayed in the bottom right hand corner of the touch screen. Touch this to revert to the previously viewed screen.

Rear view camera display on the touch screen will discontinue when either of the following apply:

- Drive is selected for longer than 15 seconds.
- Drive is selected and/or vehicle speed is greater than 11 mph (18 km/h).