

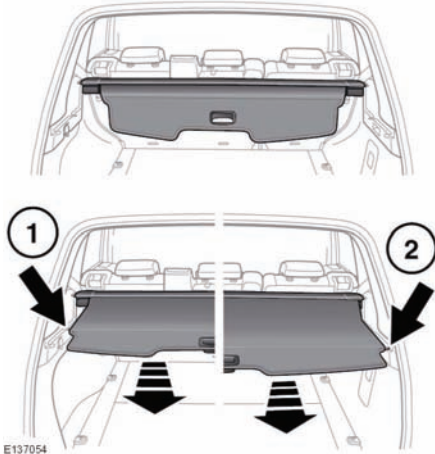
Load carrying

LOADSPACE COVER

⚠️ WARNING

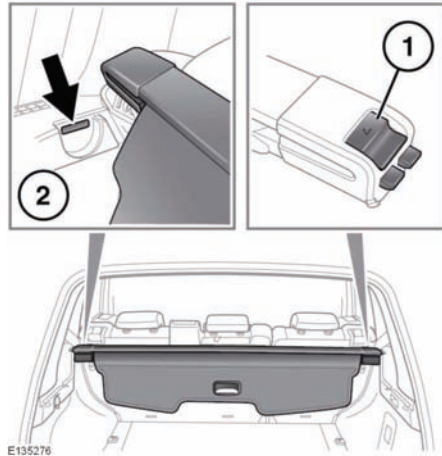
Never place objects on top of the loadspace cover. During an accident or sudden maneuver, loose objects can cause serious injury or death.

Operation:



1. Pull the rigid portion of the cover to unroll.
2. Engage the end pieces into the recessed features moulded into the loadspace sides.

Removal:



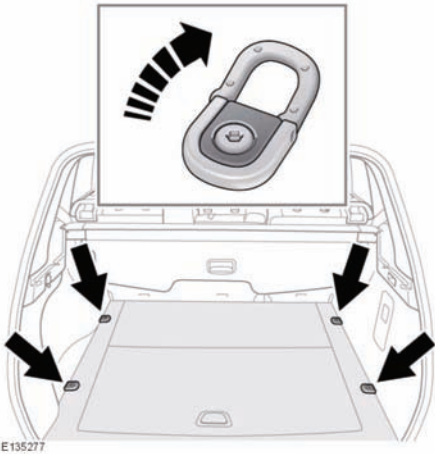
1. With the cover retracted, press the release button on the right-hand end of the cover cassette.
Lift to release from the loadspace trim.
2. Maneuver and lift the cover to the right, releasing the left-hand end from the loadspace trim.

Note: Installation of the loadspace cover is the reverse of removal.

⚠️ WARNING

Do not store the loadspace cover loose in the vehicle. During an accident or sudden maneuver, the load space cover could cause serious injury or death.

LUGGAGE ANCHOR POINTS



To assist in safely securing large items of luggage, four fixing points are located in the rear loadspace floor.

⚠ WARNING

All items carried in the loadspace area should be properly secured. If the vehicle is involved in an accident, subject to sudden braking or change of direction, loose items can cause serious injury.

***Note:** A range of approved luggage retention accessories are available from your Land Rover Retailer/Authorized Repairer.*