

MY MUSIC CONTROLS

⚠ WARNING

Do not adjust the auxiliary device, or allow the device to distract the driver, while the vehicle is moving. Driver distraction can lead to accidents, causing serious injury or death.

⚠ WARNING

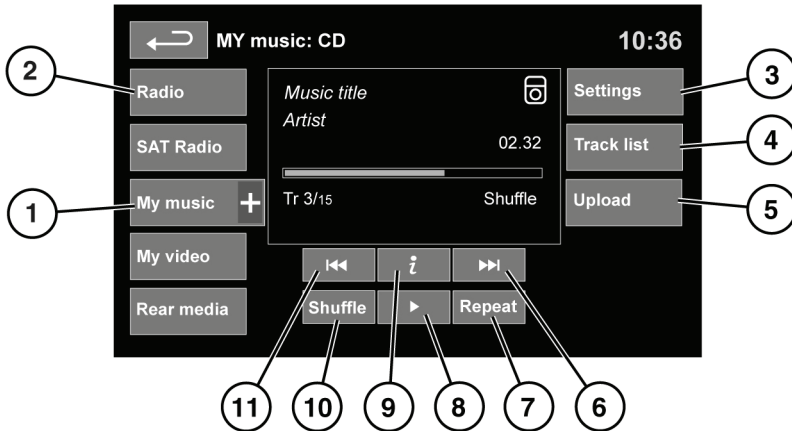
Make sure that any auxiliary devices are stored securely while the vehicle is in motion. Any loose objects are potential hazards during sudden maneuvers, emergency braking or accidents.

NOTICE

Do not place any item connected to the auxiliary input socket or the auxiliary power socket on the seats, carpets, or other upholstery. The heat generated by these devices may cause damage to the vehicle and, in some extreme cases, a fire.

NOTICE

Read the manufacturer's instructions for any device, before it is connected to the audio system.



SL1944

See 104, TOUCH SCREEN OVERVIEW.

My music includes CD, iPod®, USB, AUX and Bluetooth devices. The full infotainment system also includes Stored CD.

1. Touch the **My music +** icon to display all options. Select an option.

Note: *Sound quality and volume levels available from devices connected to the auxiliary input may vary widely.*

2. Display of information about the current track, including elapsed run-time. Some of this information is also displayed in the instrument panel.
3. **Settings.** Select to switch traffic and news announcements on or off. Additionally, for MP3 recorded media, you can select the number of list entries that are skipped when you use the page up/down arrows when navigating a list.

4. Depending on the selected mode, this soft key will be either **Track list** or **Browse**. In Stored CD mode, both soft keys will be displayed.

Track list. Select to view current CD or Stored CD track list. Select a track to start playback.

Browse. (iPod[®], USB and Stored CD modes only).

- Select to view the contents of the connected device which are displayed as dictated by the file structure.
 - Select a file to start playback (Browse view will remain). Select a folder or subfolder to view their contents.
 - To return to the Controls menu, select the Back soft key.
5. **Upload.** Applicable to Stored CD menu only.

Select to view and manage the CDs loaded into the Stored CD memory.

- Select **Upload** alongside an empty slot to upload the current CD. There are 10 slots available.
- If the Stored CD memory is full, select **Replace** to overwrite an existing CD.

In each case a confirmation pop-up will appear. Select **Yes** to continue.

***Note:** Loading time is dependent on content type. Other features can be selected while upload is in progress.*

6. **Skip/Scan forward:**
- Touch and release to skip to the next track.
 - Touch and hold to scan forwards through the current track. Play will resume when the soft key is released.

7. **Repeat:**

In **CD** mode

- Touch and release to repeat the current track continuously until Repeat mode is cancelled. **Repeat track** is displayed.
- Touch and release again to repeat the current Stored CD (or folder for MP3 discs) continuously until Repeat mode is cancelled. **Repeat disc** or **Repeat folder** is displayed. This is not available if attempted while a CDDA track is being played.
- Touch and release a third time to cancel Repeat mode.

***Note:** Selecting **Shuffle (10)** will cancel Repeat mode, but **Repeat track** can be selected with Shuffle mode active (cancels the previously selected shuffle mode).*

In **USB** or **iPod** mode

- Select to repeat the current track.
- Select again to repeat the current folder (USB) or to cancel repeat mode (iPod[®]). Select again to cancel repeat mode in USB.

***Note:** Repeat mode is not available for Bluetooth[®] devices.*

***Note:** Selecting **Shuffle (10)** will cancel Repeat mode.*

8. **Pause/Play:** Select to pause playback. Select again to resume playback.
9. **Information.** More information about the current track.
10. **Shuffle:**
- Touch and release once to play random tracks from the current CD, MP3 folder, USB folder or iPod playlist. A **Shuffle** message is displayed.

- Touch and release again to play random tracks from CD, MP3 disc, USB folders or tracks on the media device or tracks loaded onto the Stored store. **Shuffle all** is displayed.
- Touch and release again to cancel Shuffle mode.

Note: *Shuffle mode is not available for Bluetooth® devices.*

11. Skip/Scan backward:

- Touch and release within 3 seconds of track playback to skip to the previous track.
- Touch and release after 3 seconds of track playback to skip to the beginning of the current track.
- Touch and hold to skip backwards through the current track. Playback will resume when the soft key is released.

MP3 FILE PLAYBACK

If an MP3 CD is to be used, each session must be properly closed after recording but the whole disc does not have to be finalized.

When Browse is selected, the list of folders and MP3 files is displayed. Select a folder to view and select the tracks contained within.

- The highest compression rate supported, is 320 kbits per second (kbps). If anything less than 128 kbps is used, Digital Signal Processing (DSP) functionality may be lost.
- The CD player may take a longer time to load an MP3 disc, if there are more tracks than on a normal CD. To minimize loading time, a rigid folder structure is recommended.
- If a CD contains a mixture of MP3 and CDDA tracks, any MP3 tracks will be ignored.

PORTABLE MEDIA CONNECTIONS

Portable media devices can be connected to the media hub located in the cubby box. The portable devices that you can connect to the system include:

- USB mass storage devices (e.g. a memory stick). Devices must use FAT or FAT32 file format.
- iPod® (iPod Classic®, iPod®), iPhone® and Nano® are supported - full functionality for older devices cannot be guaranteed). iPod Shuffle® functionality cannot be guaranteed.
- Auxiliary device (personal audio, MP3 players, all iPods®).

Note: *Auxiliary devices have no touch screen control.*

If you are connecting an iPod® or mass storage device, use the touch screen to operate and search the device. Many of the controls are similar to those available for CD play.

NOTICE

Please disconnect your iPod® when leaving the vehicle. Failure to do so may result in the iPod® battery discharging.

Note: The audio system will play MP3, WMA and AAC files.

To maximise playback quality, it is recommended that lossless compression is used for any media files on USB or iPod®. Failing this, it is recommended that compressed files utilise a minimum bitrate of 192 kb/s (a higher bitrate is strongly recommended).

Note: iPod® is a trademark of Apple Computer Inc., registered in the US and other countries.

Note: Some MP3 players may have their own file system that is not supported by this system. To use your MP3 player, you must set it to USB Removable Device or Mass Storage Device mode. Only music that has been added to the device in this mode can be played.

PLAYING A PORTABLE DEVICE

If you are using a USB mass storage device or approved iPod®, you can control playback using the touch screen controls.

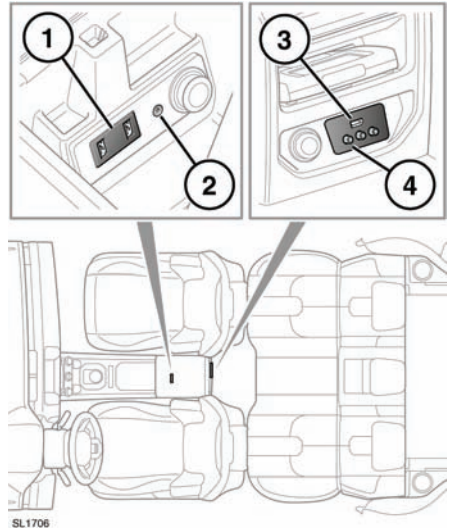
If you are using a Bluetooth® device, you can control playback using the touch screen, but some controls are unavailable.

If you are using any portable media device via the AUX socket, then you must control playback from the device itself.

NOTICE

Land Rover does not recommend the use of a Hard Disc Drive via the USB link while the vehicle is in motion. These devices are not designed for in car use and may be damaged.

CONNECTING A DEVICE



1. USB/iPod® sockets.
2. 3.5 mm AUX socket.
3. USB/iPod® socket.
4. Rear media AV sockets.

Connect the device into the appropriate socket.

Note: Use the cable supplied with your media device to connect to the USB socket.

NOTICE

Read the manufacturer's instructions for any device, before it is connected to the audio system. Ensure that the device is suitable, and comply with any instructions regarding connection and operation. Failure to do so may result in damage to the vehicle's audio system or the auxiliary device.

When an iPod® is connected, playback will continue from the point at which it was last playing, provided the iPod battery is in a good state of charge.

When a USB or Bluetooth® device is connected, playback will continue from the point it was last played. If a device is already connected when **AUX** is selected, playback will continue from the point at which it was last playing.

NOTICE

Do not plug non-audio devices into the USB port.

Note: A USB hub cannot be used to connect more than one USB device to the audio unit.

Note: Devices connected to the USB ports will be charged, but devices that are fully discharged will not play.

Note: Options such as **Repeat** and **Mix** relate to the device currently playing, they will not apply to any subsequent device.

AUX INPUT SOCKET

The 3.5mm AUX socket allows additional equipment (e.g. personal stereos MP3 player, hand-held navigation unit, etc.) to be connected to the audio system.

The auxiliary power socket, situated next to the auxiliary jack, can be used to power or charge any suitable device.

Note: iPod shuffle may be connected via the auxiliary input jack.

Note: On vehicles fitted with rear seat entertainment, additional Audio/Visual sockets are provided. This allows auxiliary equipment (such as a video game console) to be linked to the rear DVD screens. For installation information, please refer to the manufacturer's instructions.

PAIRING AND CONNECTING A BLUETOOTH® MEDIA DEVICE

For further information on Bluetooth® and device compatibility, see **136, BLUETOOTH® INFORMATION**.

Using your media device

Note: The process of pairing and connecting your media device with the vehicle using the media device, will vary depending on the type of media device.

1. Switch the ignition on and ensure that the touch screen is active.
2. From the home menu, select **Audio/Video**, then **My Music**.
3. A menu will appear. Select **Search new**.
4. Select **Device to vehicle** option.

Note: The vehicle's Bluetooth® system is discoverable for only 3 minutes.

5. Using the media device, search for Bluetooth® devices.
On some devices, this is referred to as new paired device. See your operating instructions for further information.
6. When the vehicle's Bluetooth® system is discovered, follow the on-screen instructions. Select **Yes** when prompted, to confirm the pairing.
Either your device or the vehicle system will ask for a PIN (Personal Identification Number). When prompted, enter a PIN of your choice and select **OK** to confirm.

7. Enter the same PIN into the other device.
8. Once your device is paired and connected to the system, a confirmation message will be displayed, before switching to the My music, Bluetooth® view.

Note: Some media players do not automatically connect and need to be manually connected, via the device or by using the **Change device** option.

Using the touch screen

1. Switch on your device's Bluetooth® connection. Make sure that it is in Bluetooth® discoverable mode, sometimes referred to as find me mode (see your device's operating instructions for more information).
2. Switch the ignition on and ensure that the touch screen is active.
3. From the home menu, select **Audio/Video**, then **My Music**.
4. A menu will appear. Select **Search new**.
5. Select **Vehicle to device** option.
6. Identify your device from the displayed list and select the corresponding **Pair and connect** option.

Note: If more than 5 devices are detected, it may be necessary to use the scroll bar to see the entire list.

7. When prompted, enter the PIN code into your device. See your device operating instructions for further information.
8. Once your device is paired and connected to the system, a confirmation message will be displayed before switching to the **My music**, Bluetooth® view.

Note: Due to the duration of a Bluetooth® search, it is advised that the timeout to home screen feature is switched off before attempting to search for Bluetooth® devices. This setting can be changed within **Vehicle, Syst settings, Display set, Timeout to home screen**.

AUTOMATIC RECONNECTION

If devices have already been paired and connected, when Bluetooth is selected from the My music menu, the system will automatically connect to the last used device (a confirmation pop-up appears). If the last used device is not present, then the system will search for other previously connected devices and automatically connect if one is found.

If no previously connected device is found, **Please connect device** is displayed and the **Change device** option is given.

LOSS OF CONNECTION

If a loss of connection between the vehicle and the Bluetooth device occurs, a pop-up is displayed. Select **Reconnect** to automatically restore the connection. A confirmation pop-up will appear before the touch screen reverts to its previous mode.

CHANGING/DISCONNECTING A DEVICE

- From the menu, select **Change device**.
- Select **Disconnect**. A confirmation pop-up will appear and then you will be given the option to **Search new** or select a different device from the list of paired devices.