

REAR LOADSPACE

⚠ DANGER

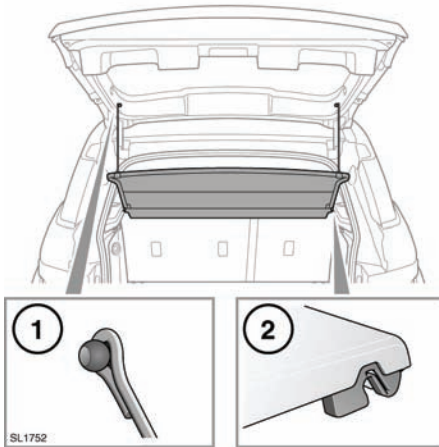
Never allow passengers to travel in the loadspace under any circumstances. All vehicle occupants should be seated correctly and wear a seat belt at all times when the vehicle is in motion.

⚠ WARNING

All items carried in the loadspace area should be properly secured. If the vehicle is involved in an accident, subject to sudden braking or change of direction, loose items can cause serious injury.

⚠ WARNING

Never place objects on top of the loadspace cover. During an accident or sudden maneuver, loose objects can cause serious injury or death.



To remove the loadspace cover:

1. Release the two straps from the pins on the tailgate.

2. Pull the cover rearwards to release the retaining brackets on the edges of the cover from the pins on the loadspace side trim.

Installation of the cover is the reverse of removal.

Storing the cover:

⚠ WARNING

Do not store the loadspace cover loose in the vehicle. During an accident or sudden maneuver, the loadspace cover could cause serious injury or death.

1. Remove the loadspace cover.
2. Fold the rear seats forward.
3. Position the cover vertically in the vehicle approximately where the upright rear seat backrests are normally. The top surface of the cover must be facing forwards with the retaining brackets at the top.
4. Locate the retaining brackets onto the side trim pins.
5. Return the rear seats to the upright locked position.

ROOF RACKS

⚠ CAUTION

A loaded roof rack can reduce the stability of the vehicle, particularly when cornering and during cross winds.

⚠ CAUTION

Driving off road with a loaded roof rack is not recommended.

Fit only a roof rack system that is designed for use with your vehicle. For further information, consult your Land Rover Retailer.

Load carrying

The maximum load for a Land Rover approved roof rack system is 165lb (75kg) while driving on road. Off road driving reduces the limit to 110lb (50kg). The weight of the approved roof rack system is not calculated as part of the load.

If an alternative roof rack system is used, the weight of that system must be included as part of the load weight.

Loads must be evenly distributed within the periphery of the rack. After travelling 30 miles (50km) check the security of the roof rack and any load.

LUGGAGE ANCHOR POINTS

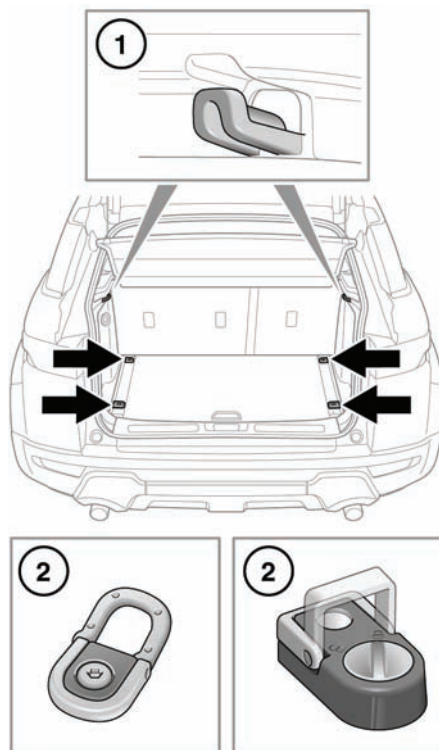
1. Bag hooks.

- The bag hooks should only be used to secure light items such as shopping bags.

2. Load securing lashing eyes.

- To assist in safely securing large items of luggage, four lashing eyes are located in the rear loadspace floor.

If adjustable lashing eyes are fitted, lift the locking lever, move to the required position then push down to relock.



SL1749

Note: A range of approved luggage retention accessories is available from your Land Rover Retailer.