

Starting the engine

SWITCHING ON THE IGNITION

To turn on the ignition without starting the engine:-

1. A valid Smart Key must be inside the vehicle.
2. Do not depress the brake pedal,
3. Press the START/STOP button and hold until the warning lamps illuminate, then release the button.

NOTICE

If the brake pedal is applied when the start/stop button is pressed, the engine will start.

ENGINE STARTING

⚠ WARNING

Never start the engine and leave it running when the vehicle is in an enclosed space. Exhaust gasses are poisonous and can cause unconsciousness and death if inhaled.

NOTICE

If the engine fails to start, do not continue cranking as this will discharge the battery. It may also damage the catalytic convertor due to unburnt fuel passing through the exhaust.

1. A valid Smart Key must be inside the vehicle.
2. Make sure the transmission is in **P** or **N**.
3. Firmly depress the brake pedal.
4. Press and release the start button. The engine will crank automatically until it starts.

IF THE ENGINE FAILS TO START

Note: *If the engine fails to crank when the START/STOP button is pressed and there has been a recent collision, seek qualified assistance.*

If the engine fails to crank, or fails to start, consult your Retailer.

SWITCHING OFF THE ENGINE

Before switching off the engine, ensure that the vehicle is parked safely with the park brake applied.

1. Make sure the transmission is in **P**.

Note: *If any other gear is selected at switch off, the rotary selector will automatically move to **P** before retracting into the center console.*

2. Press the START/STOP button.

Note: *The park brake will apply automatically if it has not already been applied.*

SWITCHING OFF THE ENGINE WITH THE VEHICLE MOVING

NOTICE

It is not advisable to switch off the engine while the vehicle is moving. However, if an emergency situation arises where engine switch off is required urgently, the following procedure applies:

- Press and hold the engine START/STOP button for 2 seconds, or;
- Press the engine START/STOP button twice within 2 seconds.

In either case, the warning **Engine Stop Button Pressed** will be displayed in the message center.

ROLLING RE-START

If the engine is switched off while the vehicle is moving, a rolling re-start can be initiated.

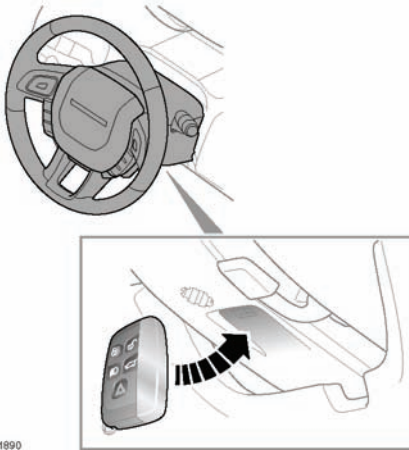
1. Select transmission position **N**.
2. Press the engine START/STOP button.

3. When the engine re-starts, select transmission position **D**.

KEYLESS START BACKUP

If the vehicle has been unlocked using the emergency key blade or the Smart Key is not detected by the vehicle, it will be necessary to use the keyless start backup to disarm the alarm and start the engine.

The keyless start backup can only be used when the message **Smart Key Not Found Refer to Handbook** is displayed in the message center.



Position the Smart Key against the underside of the steering column cover with the buttons facing downwards.

With the brake pedal depressed, press and release the START/STOP button to start the engine.

When the engine starts, you no longer need to hold the Smart Key beneath the steering column.

Note: If the Smart Key is not recognized or the engine still fails to start, consult your Retailer.

Note: If the message **Smart Key Not Detected** is displayed, ensure that the key is being held in the correct position and try again.