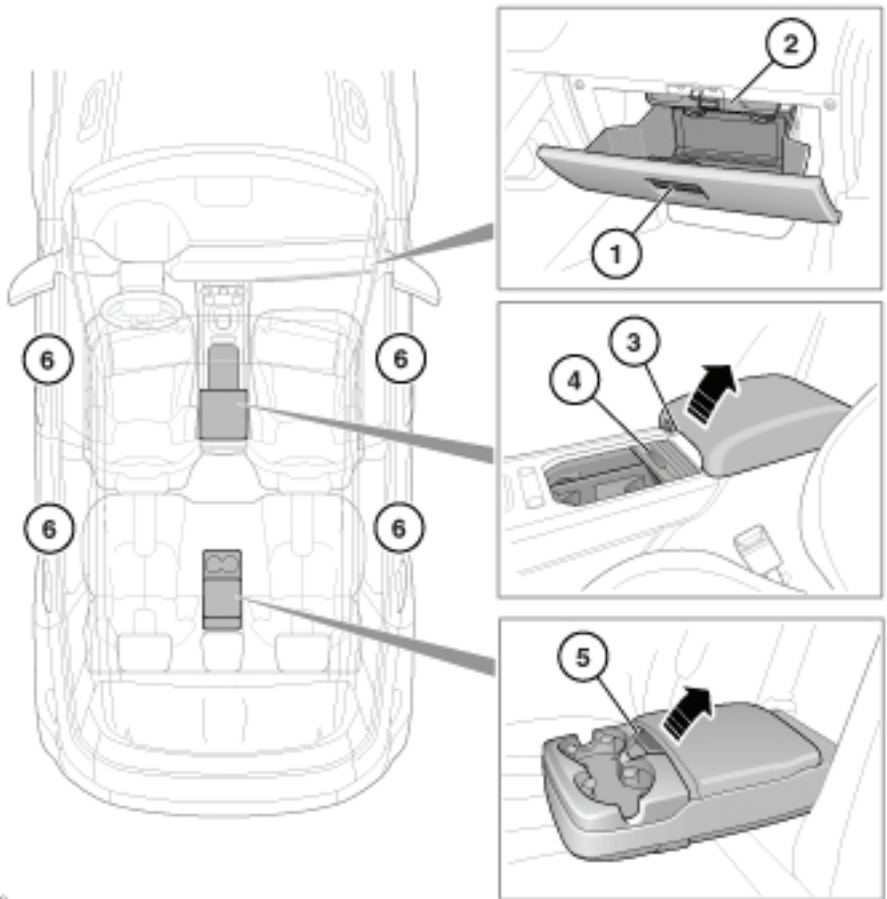


CUP HOLDERS AND STORAGE



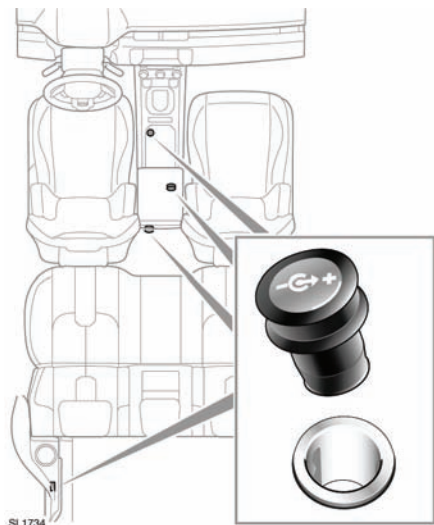
SL1409

1. Glovebox.
2. Inside the glovebox is a drop down storage area for the Owner's Handbook pack.
3. Cubby box.
4. Sliding top to reveal cup holders.
5. Rear armrest storage and cup holders.
6. Storage areas.

⚠️ WARNING

Ensure that any items stored in the vehicle are secure and cannot move. If the vehicle is involved in an accident, or subject to a sudden braking or direction change, loose items can cause serious injury.

AUXILIARY POWER SOCKETS



NOTICE

Use only Land Rover approved accessories. Using any other equipment may damage the vehicle's electrical system. If you are in any doubt contact a Land Rover Retailer.

NOTICE

The engine should be running when using accessories for long periods. Failure to do so can discharge the battery.

Note: *Power sockets can be used to power approved accessories that use a maximum of 120 Watts.*