

RECOVERY

The method for recovery/ transportation of the vehicle is on a transporter or trailer designed for that purpose.

Ensure that transportation is carried out by suitably qualified person and that the vehicle is secured correctly.

This vehicle should **NOT** be towed on all four wheels, nor should it be recovered with the front wheels suspended.

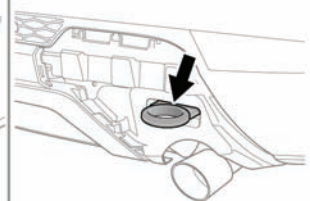
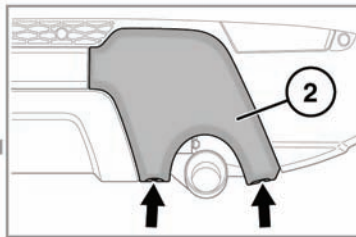
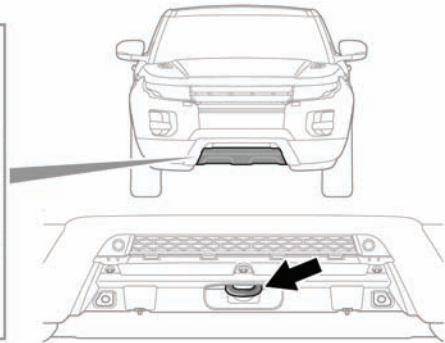
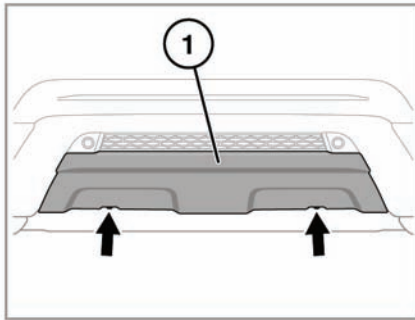
FRONT AND REAR TOWING POINTS

⚠ WARNING

The towing points at the front and rear of the vehicle are designed for on-road recovery only. If they are used for any other purpose, it may result in vehicle damage and serious injury.

⚠ WARNING

Use extreme caution when moving or towing the vehicle. Death or serious injury may occur.



SL1787

The towing points are located behind panels in the bumpers. Panel design will vary depending on the vehicle specification.

To access the towing points:

1. Front bumper - rotate the two fasteners 90 degrees counter clockwise. Pull the panel away from the front bumper.

2. Rear bumper - rotate the two fasteners 90 degrees counter clockwise. Pull the panel away from the rear bumper.
3. If the Dynamic pack is fitted, the exhaust finisher will also require removal before the towing point can be used.

Installation of the panels is the reverse of removal.

NOTICE

Remove the front and rear towing point covers before driving off-road, to prevent damage or loss.

OFF-ROAD RECOVERY

⚠ WARNING

If the towing points are to be used for off-road recovery, it is essential that off-road driver training covering recovery techniques is undertaken.

Further information on off-road driver training can be found at <http://www.landroverexperience.com>

TOWING THE VEHICLE ON FOUR WHEELS

The vehicle should **NOT** be towed on all four wheels. However, if the vehicle cannot be recovered by using the correct method, please adhere to the following guidelines.

⚠ WARNING

If the engine cannot be used during towing, there will be no power assistance to the braking. This will result in much greater effort to stop the vehicle and in a greatly increased stopping distance.

NOTICE

*If the vehicle battery is disconnected or disabled, do **NOT** attempt to tow the vehicle. Towing may result in serious damage to the transmission.*

NOTICE

If the vehicle must be towed, only tow in a forward direction with all four wheels on the ground. Towing in a reverse direction or with only two wheels on the ground, will cause serious damage to the transmission.

NOTICE

*Do not tow the vehicle if the transmission cannot be set in **N**.*

NOTICE

*The following is **NOT** recommended practice. With the front wheels suspended, the vehicle can be towed for a maximum of only 30miles (50km), at a maximum speed of 30mph (50km/h). Towing for a greater distance or at a higher speed, may result in serious damage to the transmission. It is advisable to have the transmission checked by your Land Rover Retailer/Authorized Repairer.*

In an emergency, the vehicle can be towed on all four wheels for a very short distance but it is advisable to have the transmission checked by your Land Rover Retailer/Authorized Repairer.

⚠ WARNING

If the engine is switched off with **N selected, the transmission will wait for 10 minutes before selecting **P**. At this point if the vehicle is being towed, serious damage to the transmission will result. There is also a danger to personal safety.**

The following procedure must be carried out:

1. Secure the towing attachment from the recovery vehicle to the front towing point.

2. With the parking brake applied, switch on the ignition.
3. Ensure the transmission is in the **N** position.
4. The ignition must remain on to allow operation of turn signals, brake lamps etc, and to ensure that the automatic return to **P** after 10 minutes does not occur.
5. Release the parking brake before towing the vehicle.

NOTICE

Leaving the ignition switched on for extended periods will drain the vehicle battery.

AFTER TOWING ON FOUR WHEELS

1. Apply the parking brake.
2. Move the transmission to the **P** position.
3. Switch off the ignition and remove the Smart Key from the vehicle.
4. Remove the towing attachment and refit the cover to the front towing point.

⚠ WARNING

Use extreme caution when detaching towing equipment. Vehicle movement is possible which can result in serious injury.