

LOCKING AND ARMING THE ALARM.

⚠ WARNING

Before exiting the vehicle, always ensure that the gear selector is in the Park (P) position, the engine is turned off, the parking brake is applied and the Smart Key is removed from the vehicle.

NOTICE

No modifications or additions should be made to the anti-theft system. Such changes could cause the system to malfunction.

With all doors and tailgate closed, press the lock button on the Smart Key once, to lock the vehicle and activate the perimeter alarm. The alarm LED in the instrument panel will start to flash and the hazard warning lamps will flash once to confirm locking. Power fold mirrors will fold in (if enabled).

NOTICE

The vehicle will not lock if a door, the tailgate or the hood is open, or the ignition is ON. No lamps will flash and if the lock request is via the Smart Key, there will be an audible mislock warning.

NOTICE

Ensure that the Smart Key does NOT remain in the vehicle prior to closure. If the vehicle is in an area of localised RF interference or the Smart Key is shielded by metal objects, the vehicle may close and lock with no means of opening again.

NOTICE

Remove any additional Smart Keys from the vehicle before locking.

LOCKING

Secures the vehicle and prevents the doors from being opened from outside. The doors may still be unlocked and opened using the interior door locks and release levers. The perimeter (exterior) alarm is activated. When the vehicle is locked and the alarm is armed, the alarm will sound if the hood, tailgate or a door is opened.

LOCK CONFIRMATION

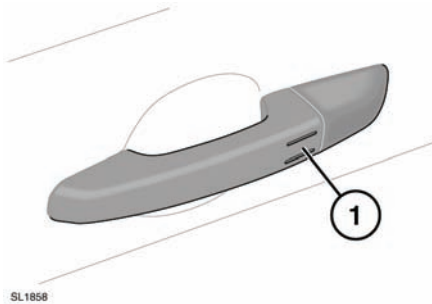
If you are uncertain whether the vehicle is locked and armed, press either the Smart Key lock button or, if Keyless entry is fitted, touch an exterior door handle lock sensor. The hazard warning lamps will flash once to indicate and confirm the current lock status..

Note: *If the vehicle is **not** already locked and armed, pressing the lock button will lock the vehicle.*

MISLOCK

When locking the vehicle with the Smart Key, if one or more of the doors, the hood or the tailgate is not fully closed, or the ignition is ON, the vehicle will NOT lock and there will be an audible mislock error warning. The hazard warning lamps will NOT flash and the door mirrors (if enabled) will NOT fold in. Check that all doors, the hood and the tailgate are closed properly. Ensure the ignition is turned OFF and lock the vehicle again. If the mislock persists, consult a Land Rover Retailer.

KEYLESS LOCKING



The vehicle will not lock automatically.

Note: Keyless locking will activate only if the Smart Key is detected outside the vehicle. If no Smart Key is present, no locking will occur.

- To lock the vehicle, touch the lock sensor (1) on the door handle once. The hazard warning lamps will flash once to confirm locking. Power fold mirrors will fold in (if enabled).

Note:

When locking the vehicle via Keyless locking, if one or more of the doors, the hood or the tailgate is not fully closed, or the ignition is ON, the vehicle will NOT lock. There will be NO audible mislock error warning. The hazard warning lamps will NOT flash and the door mirrors (if enabled) will NOT fold in. Check that all doors, the hood and the tailgate are closed properly. Ensure the ignition is turned OFF and lock the vehicle again. If the mislock persists, consult a Land Rover Retailer.

DRIVE-AWAY LOCKING

Drive-away locking automatically locks all doors at a set speed when the vehicle is in motion. This feature can be enabled/disabled via Drive-away locking in the Vehicle Settings menu. See 63, **VEHICLE INFORMATION AND SETTINGS MENU**.

SELECTING VALET MODE

Valet mode allows the vehicle to be driven, e.g., by a parking attendant, but leaves the tailgate locked and restricts use of the touch screen. This prevents access to telephone numbers, navigation addresses and audio system settings.

From the **Home** menu, select **Valet**:

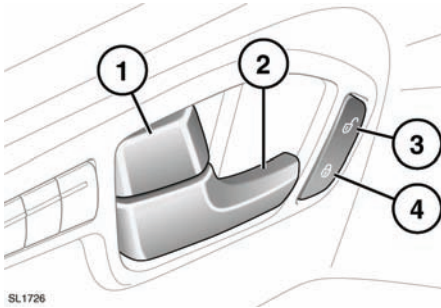
Enter a four digit Personal identification Number (PIN) (personally chosen). On completion, touch the **OK** soft key.

If you wish to cancel the PIN, select **Delete**.

After entering the PIN, you will be prompted to enter the PIN again. Enter the same PIN and touch **OK** to confirm.

A pop-up screen is displayed, confirming your vehicle is now in Valet mode.

DOOR LOCK AND RELEASE LEVERS



1. Press a locking lever to lock a door. Pull the lever back to unlock. Operating either front door locking levers will lock or unlock all doors.
2. Pull a release lever to open a front door.
To unlock and open a rear door, first operate the lock lever, then pull the release lever.
3. Press the master unlock button to unlock all doors and tailgate.
4. With all doors closed, press the master lock button to lock all doors and tailgate.

Note: If the vehicle was locked with the Smart Key, operating an interior door release lever will unlock only that door. If the door is opened the alarm will sound.