

## BATTERY WARNING SYMBOLS



Do not allow any naked flames, or other sources of ignition near the battery as the battery may emit explosive gasses.



Ensure that when working near, or handling the battery, suitable eye protection is worn. This will reduce the risk of eye damage caused by acid splashes.



To prevent risk of injury, do not allow children near the battery.



Be aware that the battery may emit explosive gasses.



The battery contains acid which is extremely corrosive, and toxic.

## CALIFORNIA PROPOSITION 65 WARNING

Second Warning Statement:

### **⚠️ WARNING**

Battery posts, terminals and related accessories contain lead and lead compounds known to the State of California to cause cancer and birth defects or other reproductive harm. Wash hands after handling.

## BATTERY CARE

### **⚠️ DANGER**

If swallowed, battery fluid can be fatal. Seek medical assistance immediately.

### **⚠️ WARNING**

Do not allow battery fluid to contact your skin or eyes. It is both toxic and corrosive which can result in severe injuries. If battery fluid comes into contact with your eyes, skin or clothes, you should remove the affected clothing and flush the skin/eyes with plenty of water. Seek medical assistance immediately.

### **⚠️ WARNING**

Do not connect any 12 volt equipment directly to the battery terminals. Doing so may cause a spark, which can result in an explosion.

### **⚠️ WARNING**

The cell plugs and vent pipe must be in place at all times when the battery is connected to the vehicle. Ensure that the vent pipe is clear of obstructions and not kinked. Failure to do so may cause a pressure build up in the battery, resulting in an explosion.

### **⚠️ WARNING**

Do not expose the battery to a naked flame or spark as the battery produces explosive, flammable gas.

### **⚠️ WARNING**

Never boost start, boost charge, or try to start a vehicle with a frozen battery. Doing so can result in an explosion.

## **⚠ WARNING**

**Remove all metal jewellery before working on or near the battery, and never allow metal objects or vehicle components to come into contact with the battery terminals.**

## **NOTICE**

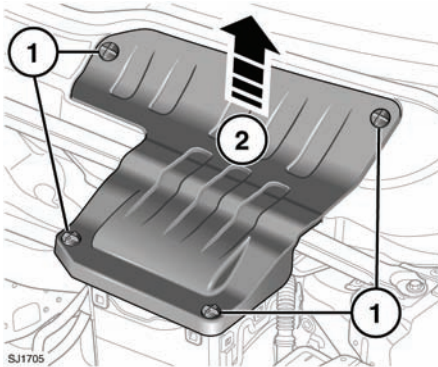
*Do not allow battery fluid to come into contact with fabrics or painted surfaces. If battery fluid comes into contact with any surface, the surface should be washed down immediately with plenty of clean water.*

Your vehicle will be fitted with either an 80 amp hr low maintenance battery or an 80 amp hr Absorbed Glass Mat (AGM) battery. AGM batteries are sealed for life and require no maintenance.

## **⚠ CAUTION**

**Do not attempt to open or remove the top from an AGM battery.**

In hot climates more frequent checks of the low maintenance battery electrolyte level and condition are required. If necessary, the battery cells can be topped up using distilled water.



1. Turn the four fasteners 90 degrees counter-clockwise to release.

2. Remove the battery cover.

Unscrew the six battery cell plugs and store carefully.

Check that the surface of the liquid (electrolyte) is level with the plastic level indicator. If necessary, top up with distilled water, but never overfill. Refit the six cell plugs.

The battery cover must be refitted as soon as possible to ensure that the battery positive terminal is insulated.

## **STARTING A DISABLED VEHICLE USING BOOSTER CABLES**

## **⚠ WARNING**

**Always wear appropriate eye protection when working with batteries.**

## **⚠ WARNING**

**Make sure both batteries are of the 12 volt type and that the booster cables have insulated clamps and are approved for use with 12 volt batteries.**

## **⚠ WARNING**

**Do not disconnect the discharged battery.**

## **⚠ WARNING**

**Ensure the bodywork of the donor and disabled vehicles do not touch.**

## **⚠ WARNING**

**Do not connect a booster cable to the negative (-) terminal of the battery. Always connect to the recommended earthing point.**

## **⚠ WARNING**

**Rotating parts of the engine can cause serious injury. Take extreme care when working near rotating parts of the engine.**

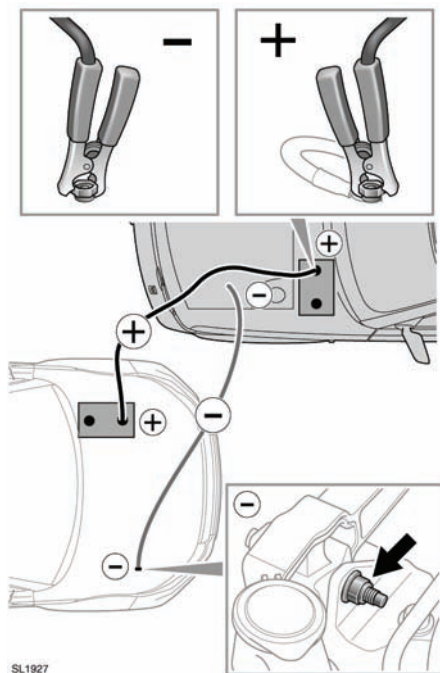
# Vehicle battery

## **⚠ WARNING**

**Before attempting to start the disabled vehicle, make sure that the parking brake is applied, or suitably chock the wheels. Make sure that Park is selected.**

**Note:** Do not switch on any electrical equipment until after the cables have been disconnected.

**Note:** Before connecting booster cables ensure that the battery connections on the discharged battery are correct and that all electrical equipment has been switched off.



1. Connect the positive (Red) booster cable to the positive (+) terminal on the donor vehicle's battery.

2. Connect the other end of the positive booster cable to the positive (+) terminal on the discharged battery.
3. Connect the negative (Black) booster cable to the recommended jump starting earth point of the donor vehicle.
4. Connect the other end of the negative booster cable to the earth point indicated.

**Note:** Check that all cables are clear of any moving components and that all four connections are secure.

5. Start the engine of the donor vehicle and allow it to idle for a few minutes.
6. Start the engine of the disabled vehicle.
7. Allow both vehicles to idle for two minutes.
8. Switch off the donor vehicle.
9. Disconnect the negative (Black) booster cable from the previously disabled vehicle.
10. Disconnect the negative (Black) booster cable from the donor vehicle.

11. Disconnect the positive (Red) booster cable from the previously discharged battery.

12. Disconnect the positive (Red) booster cable from the donor vehicle.

## **STARTING A DISABLED VEHICLE USING A STARTING AID**

To start the vehicle using a starting aid or a booster battery, follow the instructions in the sequence given.

1. Connect the positive (Red) booster cable to the positive (+) battery terminal of the discharged battery.

2. Connect the negative (Black) booster cable to the vehicle earth point.
3. Start the engine and allow it to idle.
4. Disconnect the negative (Black) booster cable from the battery terminal of the vehicle.
5. Disconnect the positive (Red) booster cable from the battery terminal of the vehicle.

## REMOVING THE VEHICLE BATTERY

Special tools are required to refit the battery after removal, therefore battery removal and refit should be carried out only by qualified personnel. Consult your Retailer.

## CHARGING OR REPLACING THE VEHICLE BATTERY

If the vehicle battery should require charging, the battery must be removed from the vehicle. Consult your Retailer.

### CAUTION

**Battery disconnection, removal and replacement should be carried out only by qualified personnel. Consult your Retailer.**



Used batteries must be disposed of correctly as they contain a number of harmful substances. Seek advice on disposal from your Retailer and/or your local authority.

## EFFECTS OF BATTERY DISCONNECTION

Disconnecting the battery can affect a number of vehicle systems, especially if there is insufficient battery power prior to disconnection. For example, the alarm may trigger depending on its state when the battery was disconnected. If the alarm does sound, use the Smart Key in the normal way to disarm the security system. The windows may need recalibrating to operate correctly.