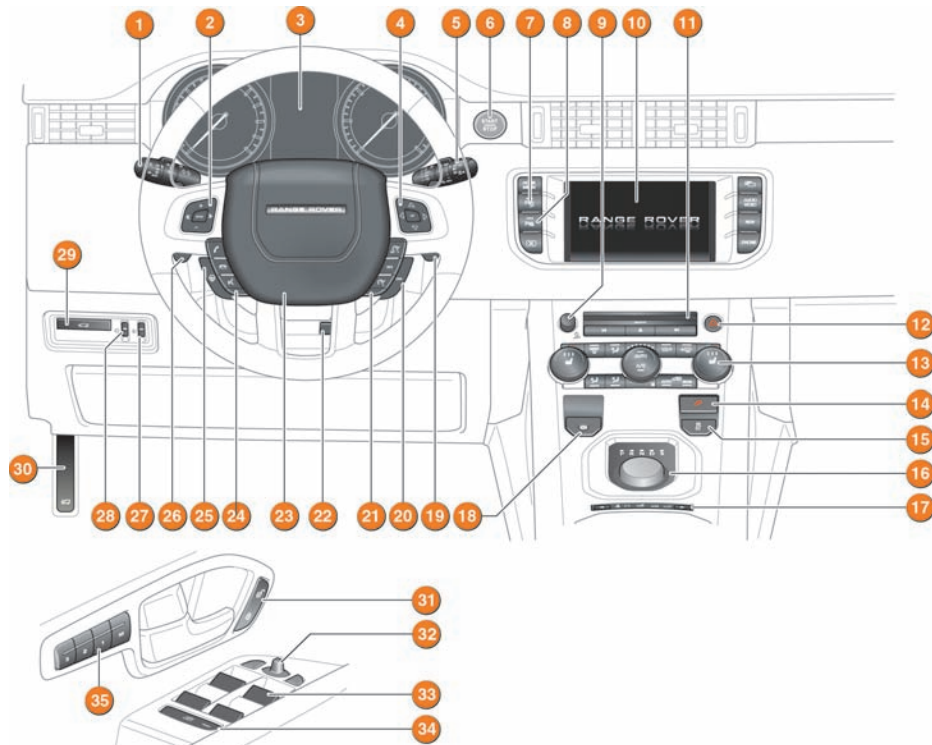





RANGE ROVER EVOQUE

RANGE ROVER EVOQUE




- | | |
|--|--|
| 1. Headlamps, turn signals and trip computer | 19. Up shift gear paddle |
| 2. Audio system control | 20. Cruise control cancel |
| 3. Instrument panel, warning lamps and Driver information center | 21. Cruise control switches |
| 4. Settings menu control | 22. Steering column adjuster |
| 5. Wipers and washers | 23. Horn |
| 6. START/STOP | 24. Telephone and voice recognition controls |
| 7. SETTINGS or Park assist. | 25. Heated steering wheel |
| 8. Parking aid on/off | 26. Down shift gear paddle |
| 9. Audio on/off and volume | 27. Headlamp levelling control |
| 10. Touch screen | 28. Interior lamps dimming control |
| 11. Audio system | 29. Tailgate release/open |
| 12. Hazard warning | 30. Hood release |
| 13. Heater/air conditioning | 31. Central locking switches |
| 14. Hill Descent Control | 32. Mirror adjuster/power folding |
| 15. DSC (Dynamic Stability Control) | 33. Window controls |
| 16. Rotary drive selector | 34. Rear windows isolation |
| 17. Terrain response | 35. Driving position memory switches |
| 18. Electric parking brake | |

Smart Key

-  Press once to switch the headlamps on. Press again to switch off.
-  Press to unlock and release the tailgate. A powered tailgate will open to the set height. If the alarm is armed, it will be inhibited while the tailgate is open.
-  Press and hold for three seconds to activate/cancel the panic alarm.

Unlocking mode alternatives

-  Single-point entry. Press once to unlock only the driver's door. Press twice to unlock all doors and luggage area.

Multi-point entry. Press once to unlock all doors and luggage area.

To change the mode - with the vehicle unlocked, press and hold the lock and unlock buttons simultaneously for three seconds. The hazard warning lamps will flash to confirm the change.

Keyless entry

The Smart Key needs only to be on the driver's person while using a door handle. It does not need to be exposed.

Operating note

The Smart Key could be shielded and undetected if placed in a metallic container or behind a device with an LCD screen, such as a smart phone, laptop (including laptop bag), games console etc. Keep the Smart Key clear of such devices when attempting Keyless entry or Keyless starting.

Powered and manual tailgates *See page 2, item 29.*

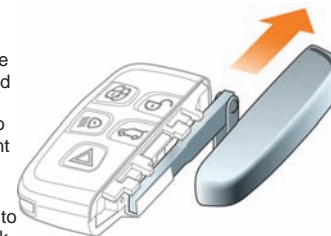
1. To release the tailgate:-
 - Press the external release switch or, use the Smart Key or, press the internal release switch.
- A powered tailgate will continue to open to the set height.
- To close the powered tailgate
2. Press and release the tailgate button.

Operating note

When the powered tailgate closes onto the locking latch, it will continue to 'soft close' to the fully closed position.

Emergency key release

Slide the side section up to remove. Remove the keyblade and unfold it. Use the blade to prise off the front left-hand door lock cover.

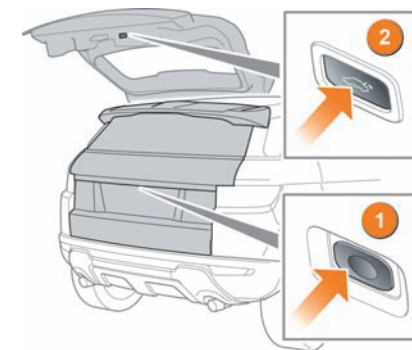
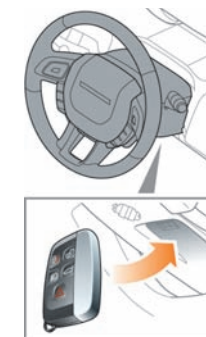


Insert the key into the exposed lock and turn towards the front of the vehicle, then release it to unlock.

If the security system was previously armed with the Smart Key, when the door is unlocked the alarm will sound. To disarm the alarm, press the unlock button on the Smart Key or press the **START/STOP** button with the Smart Key inside the vehicle.

Operating note

If the Smart Key fails to work, hold it under the steering column in the indicated position. Start the engine as normal. The Smart Key can now be removed.



RANGE ROVER EVOQUE

RANGE ROVER EVOQUE