

## SINGLE LOCKING

Press the lock button on the Smart Key briefly to single lock the vehicle and activate the perimeter alarm. The hazard warning lamps will flash to confirm.

Single locking secures the vehicle and prevents the doors from being opened from outside. The doors may still be unlocked and opened from inside the vehicle. In this state, only the perimeter alarm is activated. See **12**,

### PERIMETER ALARM.

**Note:** *This setting should be used in circumstances such as travelling on a ferry, when pets are to be left in the vehicle, or if a window must be left open etc.*

## DOUBLE LOCKING



**Never double lock the vehicle with people, children, or pets inside. In the event of an emergency they would be unable to escape and the emergency services would be unable to release them quickly.**

Press the lock button on the Smart Key twice within three seconds to double lock the vehicle and activate the full alarm system. The hazard warning lamps will flash twice to confirm.

Double locking secures the vehicle and prevents the doors being opened from inside or outside of the vehicle. The doors cannot be unlocked or opened from inside the vehicle when double locked.

This provides additional security if the vehicle is left unattended. The vehicle cannot be opened by breaking a window and operating the door locks from inside. Additionally, double locking also activates the full alarm system. See **12**,

### FULL ALARM.

**Note:** *In this state, an open window or sunroof will cause the alarm to sound due to the movement of air currents. For this reason, ensure all windows and the sunroof are fully closed before double locking the vehicle.*

## PERIMETER ALARM

The perimeter alarm system is activated when the vehicle is single locked (see **12**, **SINGLE LOCKING**). Once activated, the alarm system will sound if:

- The bonnet, tailgate or a door are opened.
- The vehicle battery is disconnected.
- An attempt is made to disconnect the alarm siren.

## FULL ALARM

The full alarm system is activated when the vehicle is double locked (see **12**, **DOUBLE LOCKING**). Once activated the alarm system will sound if:

- The bonnet, tailgate or a door are opened.
- Movement is detected within the vehicle interior.
- A window, front or rear windscreen or sunroof glass are broken.
- The vehicle is raised or tilted.
- The vehicle battery is disconnected.
- An attempt is made to disconnect the alarm system.

## INTERIOR PROTECTION

The interior protection feature of the full alarm system may be temporarily disabled via the **Vehicle set-up** menu (see **51**, **INTERACTIVE CONTROLS**).

**Note:** *Once enabled, this setting will activate the next time the vehicle is double locked with the Smart Key.*

## KEYLESS LOCKING

**⚠** Never double lock the vehicle with people, children or pets inside. In the event of an emergency they would be unable to escape, and the emergency services would be unable to release them quickly.

**!** The Smart Key may not be detected if it is placed within a metal container or if it is shielded by a device with a back-lit LCD screen, such as a smart phone, laptop (including laptop bag), games console etc.

**Note:** Keyless locking will only activate if the Smart Key is detected outside the vehicle. If no Smart Key is present when the button is pressed, two warning tones will sound.



E134617

The vehicle will not lock automatically.

- To single lock the vehicle press the keyless locking button (arrowed) on the door handle once. The hazard warning lamps will flash once to confirm. In some markets an audible warning will sound.
- To double lock the vehicle, press the keyless locking button (arrowed) twice within 3 seconds. The hazard warning lamps will flash twice to confirm (with a long second flash). In some markets a double audible warning will sound.

To initiate global window closing, press and hold the keyless locking button for 3 seconds. This will also lock the vehicle and activate the alarm.

**Note:** The windows will close only while the button is depressed. To fully secure the vehicle, continue to depress the button until all windows are fully closed.

## GLOBAL CLOSING

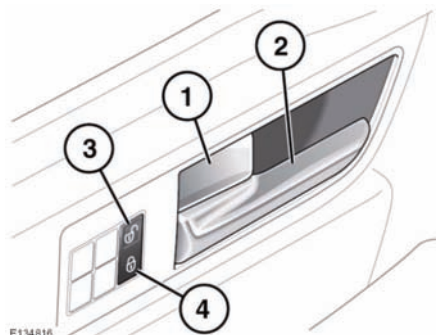
**⚠** Ensure that no children, pets, or obstructions are in any open aperture before operating global closing. Safety mechanisms are in place to prevent serious injury, however injuries can still occur.

Press and hold the lock button on the Smart Key for 3 seconds. The vehicle will single lock and the full alarm will be activated immediately. After 3 seconds any open front windows will be closed.

Global closing does not close the rear windows which need to be closed in the normal way.

This feature can be enabled/disabled via the **Vehicle set-up** menu (see **51, INTERACTIVE CONTROLS**).

### DOOR LOCK AND RELEASE LEVERS



From inside the vehicle, all the doors can be locked by pressing either the driver or passenger lock lever (1).

Each rear door can be individually locked by pressing the appropriate lock lever.

To unlock and open a front door, pull the door handle (2). To unlock and open a rear door, first operate the lock lever, then pull the door handle.

**Master lock/unlock buttons:** To lock (4) or unlock (3) the vehicle, press the respective button on the door.

**Note:** *The master unlock button is inhibited when the vehicle is locked with the Smart Key.*

### MISLOCK

When attempting to lock the vehicle, if one or more of the doors, the bonnet or the tailgate are not fully closed, the vehicle will fail to lock and the horn will emit two tones. The vehicle will not fully lock until all doors, the bonnet and the tailgate are completely closed.

### DEACTIVATING THE ALARM WHEN TRIGGERED

If the alarm has been triggered it can be deactivated by pressing the Smart Key unlock button, or by positioning the Smart Key underneath the steering column (see 77, **IF THE ENGINE FAILS TO START**).