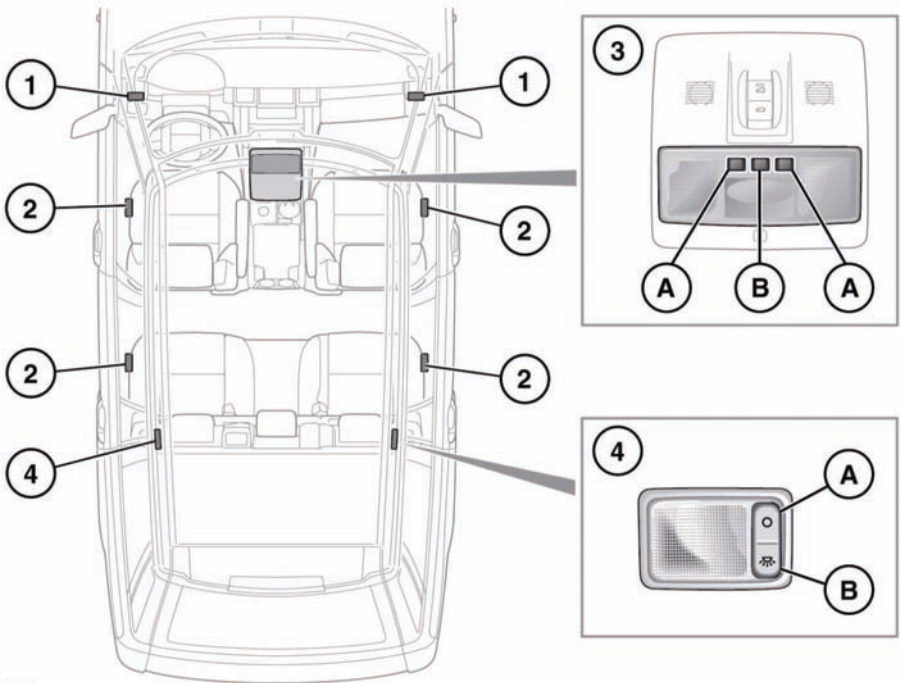


## INTERIOR LIGHTS



E135103

1. Sun visor lamps: Switch on or off as required using the switch.
2. Puddle lamps: Automatically illuminate when the doors are opened.
3. Map reading/interior lamps:
  - A. Map light controls (on/off).
  - B. Main interior lamp control (on/off/Auto). To activate or deactivate Auto mode, press and hold for longer than 3 seconds. In Auto mode the lamps will illuminate when a door is opened.
4. Loadspace interior lamps:
  - A. Press to turn off.
  - B. Press to turn on.