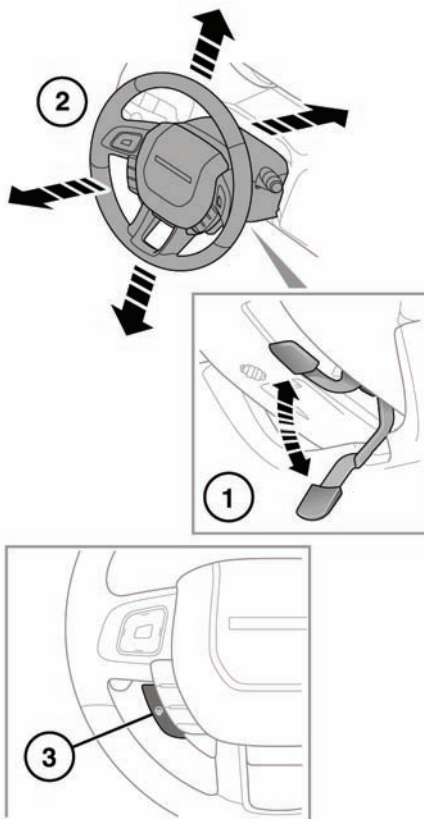


STEERING COLUMN

 **Never adjust the steering column while the vehicle is in motion.**

1. Move the lever fully down to unlock the column. Move the lever fully up to re-lock the column.
2. Move the steering column up, down, in or out, to the desired position.
3. Press to switch on the steering wheel heating. Temperature is thermostatically controlled.



SL1771