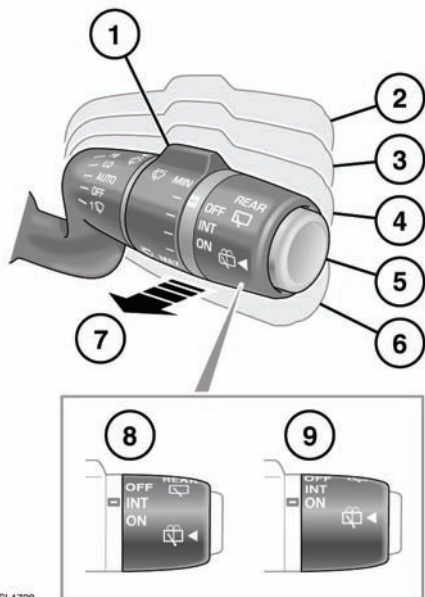


WINDSCREEN WIPERS



SL1728

1. Rotate the collar to adjust the intermittent period. The intermittent delay period will vary and is controlled by either vehicle speed or a rain sensor. The control must be in position (4) to be operational. This is a dealer configurable option.
 2. High speed wipe.
 3. Low speed wipe.
 4. AUTO or intermittent wipe. Controlled by either a rain sensor or vehicle speed. In this position, the rain sensor becomes active and will determine when the wipers are required to operate. If the rain sensor is not configured by your dealer, intermittent wipe will operate in conjunction with the setting of control (1).
 5. Rear window wash/wipe:
 - Press and hold to operate the rear washer and wiper. The wiper will operate for two further wipes after the button is released. After a few seconds a drip wipe process will clear any residual water.
 6. Single wipe of windscreen, or hold down for further continuous wipes.
 7. Windscreen wash/wipe:
 - Pull and hold to operate the front washers and wipers. The wipers will operate for three further wipes after the stalk is released. After a few seconds a drip wipe will clear any residual water.
 8. INT - rear wiper, intermittent operation. The intermittent delay period is controlled by adjusting the collar (1). The delay period and number of wipes will then be adjusted automatically depending on vehicle speed. This is a dealer configurable option.
 9. ON - rear wiper, continuous operation.
- ⚠ Do not operate the windscreen wipers on a dry screen.
 - ⚠ In freezing or very hot conditions, ensure that the wipers have not stuck to the glass.
 - ⚠ Remove any snow, ice or frost from the screen, around the wiper arms and blades and the screen scuttle, before operating the wipers.
- Note:** If wiper blades become stuck or jammed, an electronic cut-out will temporarily halt wiper operation. If this happens, switch off the wipers and the ignition. Clear any obstructions and free the wiper blades, before attempting to switch on the ignition.
- Note:** Front wipers will not operate while the bonnet is open and vehicle speed is below 3km/h (1.9mph).

RAIN SENSOR/SPEED SENSITIVE WIPER CONTROL

Intermittent operation of the wipers is controlled initially by either vehicle speed or a rain sensor located at the upper edge of the windscreen. Both methods of control will clear the screens adequately. Vehicle speed control is set by the user and control via a rain sensor is automatic.



This function can be enabled/disabled by your Dealer/Authorised Repairer.

RAIN SENSOR



Ensure that the wipers are switched off before entering a car wash. If the rain sensitive wipers operate during the car washing process, damage may occur to the wiper mechanism.

The rain sensor is able to detect the presence and amount of rain/dirt/snow on the windscreen and automatically activates the windscreen wipers accordingly. Static droplets may not be detected on initial start-up, use a single wipe to clear the screen.

To activate the rain sensitivity wipers, move the wiper stalk to the rain sensor position (4). A single wipe will be actioned.

Adjust the rain sensitivity collar (1) as required. Increasing sensitivity while position (4) is selected will action a single wipe.

If a front door is opened while the wipers are operating, the wipers will be disabled. Operation will restart when the doors are closed again.

SPEED SENSITIVE WIPERS

If vehicle speed drops below 6km/h (3.7mph) with the wipers operating in positions (2) or (3), the wipers will switch to the next lowest speed. When vehicle speed increases to over 6km/h (3.7mph), the original wiper speed setting is restored automatically.

DRIP WIPE

If the drip wipe function is configured, the wipers will operate four seconds after a wash/wipe cycle has finished, to clear any remaining drips from the windscreen.



This function can be enabled/disabled by your Dealer/Authorised Repairer.

WINTER PARK POSITION

The wipers can be set to park in a higher position than normal. This allows the blades to be lifted from the screen to prevent freezing. The 'Wipers winter park' option can be selected from the settings menu. See **56, VEHICLE INFORMATION AND SETTINGS MENU**.

HEADLAMP WASHERS

The optional headlamp power wash operates automatically with the windscreen wash and will operate only if the headlamps are switched on and there is sufficient washer fluid in the reservoir.

Headlamp wash operates every fourth operation of the screen washers, provided the headlamps are still switched on and approximately ten minutes have elapsed since the last headlamp wash.

Switching the headlamps or ignition off and back on again, will reset the cycle.

See **182, TOPPING UP THE WASHER FLUID**.

***Note:** The headlamps are washed alternately to prevent the washer fluid from reducing the light output from both headlamps simultaneously.*

REAR WIPER

If reverse gear is selected while the front wipers are operating, the rear wiper will start automatically and continue as long as reverse gear is selected. The wipe interval is dependent on the front wipers setting.

If reverse gear is selected while the rear wiper control is in the INT position, the wiper will operate for a single sweep of the rear screen.

When stationary, if the tailgate is opened while the rear wiper is operating, the wiper will stop. When the tailgate is closed, the wiper will start to operate again after a delay of three seconds.

If the tailgate is open and vehicle speed is above 3km/h (2mph) the wiper will operate normally.

WIPER BLADE REPLACEMENT

This subject is covered in the Maintenance section. See **175, WIPER BLADE REPLACEMENT.**