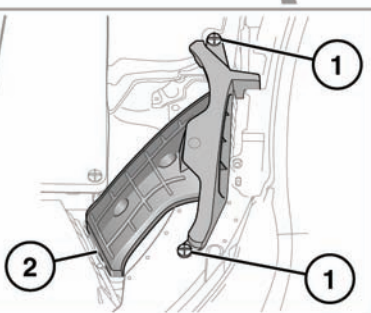
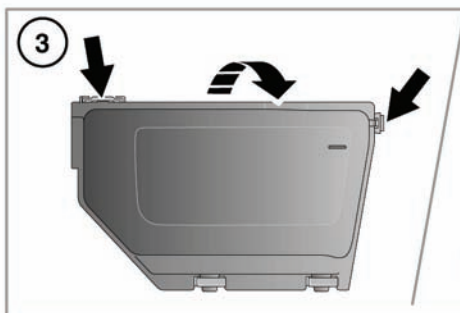
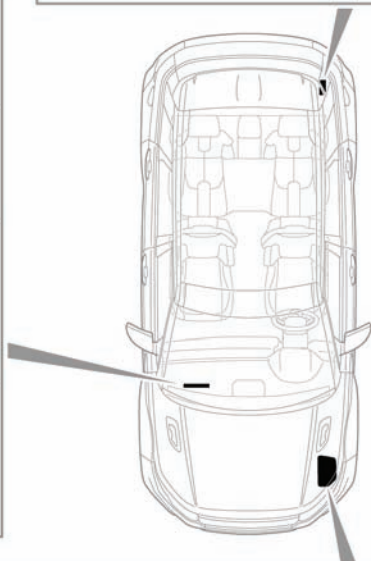
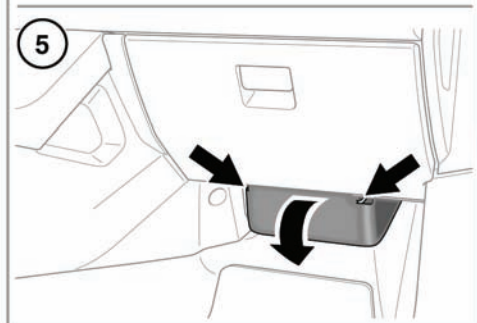
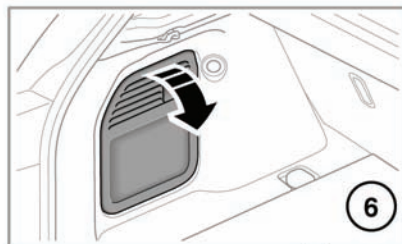
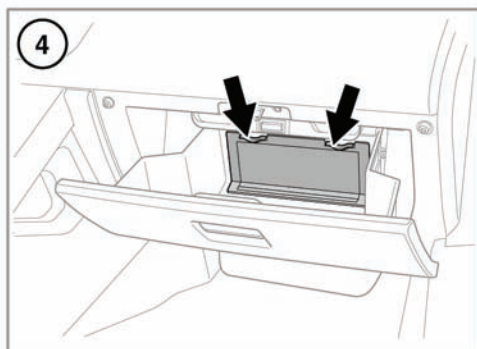



FUSE BOX LOCATIONS



SL1770

-  When a fuse box lid is removed, take care to protect the box from moisture, and refit the lid at the earliest opportunity.

Engine compartment - fuse box access:

1. Remove the two plastic fixings.
2. Pull the tube up to release from the air box.
3. Delatch the tabs. The fuse box can now be opened.

The engine compartment fuse numbers and positions are shown on the inside of the fuse box cover.




Passenger compartment - fuse box access. There are two covers.

4. To access the upper part, open the glovebox and remove the panel from the glovebox liner. A label on the panel shows the circuits protected and the fuse locations.
5. To access the lower part, remove the lower access panel.

Luggage compartment - fuse box access:

6. Remove the panel from the left side trim of the luggage compartment.

CHANGING A FUSE

-  Always turn off the ignition system and the affected electrical circuit, before replacing a fuse.
-  Fit Land Rover approved replacement fuses of the same rating and type, or fuses of matching specification. Using an incorrect fuse, may result in damage to the vehicle's electrical system and can result in a fire.
-  If the replacement fuse blows after installation, the system should be checked by your Dealer/Authorised Repairer.

Note: *Land Rover recommend that relays should only be replaced by qualified persons.*

The fuse removal tweezers are located in the passenger compartment fusebox. Press the tweezers onto the head of a fuse and pull to remove. A break in the wire inside the fuse indicates that the fuse has blown and must be replaced.

There are some spare replacement fuses in the passenger compartment fusebox. See the fuse box label for details.

ENGINE COMPARTMENT FUSE BOX

Fuse number	Rating (Amps)	Fuse colour	Circuits protected
1	Diode	-	Engine management supply
2	5	tan	Voltage module supply
3	80	-	Cooling fans
4	60	-	Diesel - Glow plugs
5	80	-	Electric power assisted steering
6	15	blue	Oxygen sensors
7	5	tan	Engine management, A/C clutch
8	20	yellow	Diesel and Petrol - Engine management ECU
9	10	red	Diesel - Engine sensors
10	20	yellow	Automatic transmission
11	10	red	Diesel and Petrol - Engine sensors
12	15	blue	Diesel - EGR bypass Petrol - Ignition coils
13	10	red	A/C clutch
14	15	blue	Diesel - Engine sensors
15	40	green	Starter motor
16	100	-	PTC heater
17	60	-	Passenger compartment fuse box
18	60	-	Passenger compartment fuse box
19	60	-	Luggage compartment fuse box
20	60	-	Luggage compartment fuse box
21	60	-	Voltage module supply
22	30	pink	Front wipers
23	40	green	Passenger compartment fuse box
24	-	-	Not used
25	30	pink	Anti lock braking system
26	40	green	Anti lock braking system
27	40	green	Passenger compartment fuse box
28	40	green	Heater blower
29	30	pink	Electric trailer brake -Australia
30	15	blue	Headlamp washer

Fuses

Fuse number	Rating (Amps)	Fuse colour	Circuits protected
31	15	blue	Horns
32	20	yellow	Auxiliary heater
33	5	tan	Relay coils - Horn, Heated front screen, Fuel pump
34	40	green	LH Heated front screen
35	40	green	RH Heated front screen
36	5	tan	Auxiliary water pump
37	20	yellow	Fuel pump
38	-	-	Not used
39	-	-	Not used
40	5	tan	AFS (RH) headlamp
41	5	tan	AFS (LH) headlamp
42	5	tan	Headlamp control, Dynamic headlamp levelling control unit
43	5	tan	Auto high beam, rear view camera,
44	10	red	Heated steering wheel
45	5	tan	Diesel - Auxiliary water pump, water in fuel sensor

PASSENGER COMPARTMENT FUSE BOX

Fuse number	Rating (Amps)	Fuse colour	Circuits protected
1	5	tan	Smart key receiver, Alarm sensor, TPMS
2	-	-	Not used
3	10	red	Front fog lamps
4	-	-	Not used
5	5	tan	Antilock braking system
6	5	tan	Engine/luggage compartment fusebox
7	-	-	Not used
8	25	clear	Passenger door module
9	5	tan	Electric park brake
10	5	tan	Heated washer jets
11	10	red	Reverse light trailer
12	5	tan	Reverse lights
13	-	-	Not used
14	5	tan	Brake pedal switch
15	30	green	Heated rear screen
16	5	tan	Electric power assisted steering
17	5	tan	Keyless entry control unit
18	-	-	Not used
19	5	tan	Engine management control unit
20	5	tan	Accelerator pedal
21	5	tan	PTC heater control unit, Centre console switch, Outboard fascia switch
22	5	tan	Automatic transmission
23	-	-	Not used
24	5	tan	RH rear fog lamp
25	5	tan	LH rear fog lamp
26	-	-	Not used
27	10	red	Trailer position lamps
28	-	-	Not used
29	-	-	Not used
30	-	-	Not used

Fuses

Fuse number	Rating (Amps)	Fuse colour	Circuits protected
31	5	tan	Rain sensor, Auxiliary lamp switch, Voltage module, Humidity sensor, Passenger airbag disabling lamp
32	25	clear	Drivers door module
33	-	-	Not used
34	10	red	Fuel flap locking/Fuel flap unlocking
35	-	-	Not used
36	5	tan	Battery backed sounder
37	20	yellow	Keyless vehicle module
38	15	blue	Front screen washer
39	25	clear	LH rear door module
40	5	tan	Driver door window switch, Clock, Pass front seat logic lumbar
41	-	-	Not used
42	30	green	Driver front seat
43	15	blue	Rear screen washer
44	25	clear	RH rear door module
45	30	green	Passenger front seat
46	-	-	Not used
47	20	yellow	Sunblind control unit
48	15	blue	Trailer connector Vbatt
49	-	-	Not used
50	-	-	Not used
51	5	tan	Steering wheel switches
52	20	yellow	Front cigar lighter
53	20	yellow	Accessory socket - cubby box
54	-	-	Not used
55	20	yellow	Accessory socket - rear console
56	10	red	SRS system
57	10	red	Interior lamps
58	-	-	Not used
59	-	-	Not used
60	-	-	Not used

Fuse number	Rating (Amps)	Fuse colour	Circuits protected
61	5	tan	Start control unit
62	10	red	Climate control system
63	20	yellow	Accessory socket - load space
64	-	-	Not used
65	-	-	Not used
66	5	tan	Diagnostics
67	15	blue	Trailer
68	-	-	Not used
69	15	blue	Automatic transmission

LUGGAGE COMPARTMENT FUSE BOX

Fuse number	Rating (Amps)	Fuse colour	Circuits protected
1 RA	10	red	Touch screen
2 RA	15	blue	Radio module
3 RA	10	red	Digital radio/TV module
4 RA	15	blue	Rear seat entertainment
5 RA	5	tan	Seat switches
6 RA	30	green	Electric park brake
7 RA	15	blue	Rear wiper
8 RA	30	green	Electric park brake
9 RA	-	-	Not used
10 RA	5	tan	Amplifier
11 RA	40	green	Amplifier
12 RA	-	-	Not used
1 RB	5	tan	Adaptive dynamics
2 RB	15	blue	E differential module
3 RB	15	blue	Driver seat heater
4 RB	15	blue	Passenger seat heater
5 RB	30	green	Adaptive dynamics
6 RB	25	clear	Power tailgate
7 RB	5	tan	Fuel burning heater RF receiver
8 RB	10	red	Instrument cluster
9 RB	5	tan	Proximity camera
10 RB	5	tan	Blindspot monitoring
11 RB	-	-	Not used
12 RB	-	-	Not used