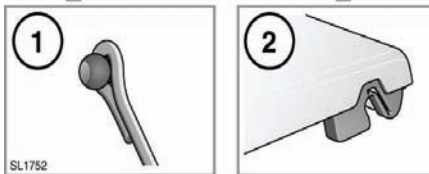
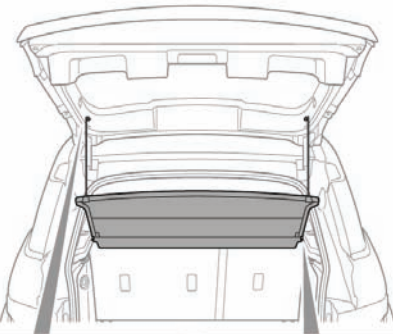


REAR LOADSPACE

⚠ Never allow passengers to travel in the loadspace under any circumstances. All vehicle occupants should be seated correctly and wear a seat belt at all times when the vehicle is in motion.

⚠ Always ensure that objects carried within the vehicle are secured properly.



To remove the loadspace cover:

1. Release the two straps from the pins on the tailgate.
2. Pull the cover rearwards to release the retaining brackets on the edges of the cover from the pins on the loadspace side trim.

⚠ Never place objects on top of the loadspace cover. During an accident or sudden manoeuvre, loose objects can cause serious injury or death.

Installation of the cover is the reverse of removal.

Storing the cover:

⚠ Do not store the loadspace cover loose in the vehicle.

1. Remove the loadspace cover.
2. Fold the rear seats forward.
3. Position the cover vertically in the vehicle approximately where the upright rear seat backrests are normally. The top surface of the cover must be facing forwards with the retaining brackets at the top.
4. Locate the retaining brackets onto the side trim pins.
5. Return the rear seats to the upright locked position.

ROOF RACKS

⚠ A loaded roof rack can reduce the stability of the vehicle, particularly when cornering and during cross winds.

⚠ Driving off road with a loaded roof rack is not recommended.

Fit only a roof rack system that is designed for use with your vehicle. For further information, consult your Land Rover Dealer/Authorised Repairer.

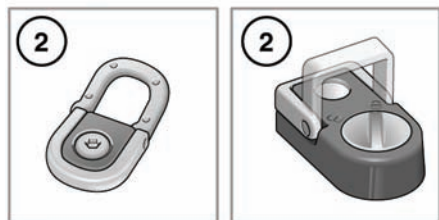
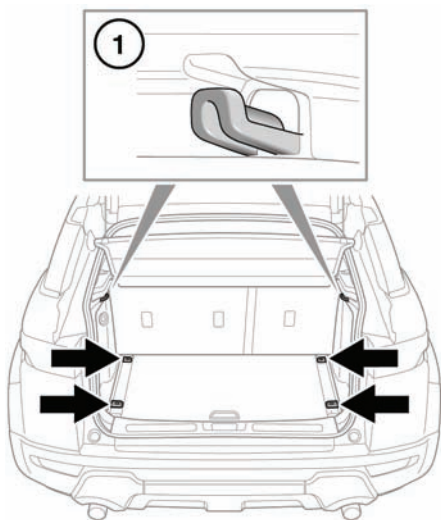
The maximum load for a Land Rover approved roof rack system is 75kg (165lb) while driving on road. Off road driving reduces the limit to 50kg (110lb). The weight of the approved roof rack system is not calculated as part of the load.

If an alternative roof rack system is used, the weight of that system must be included as part of the load weight.

Load carrying

Loads must be evenly distributed within the periphery of the rack. After travelling 50km (30 miles) check the security of the roof rack and any load.

LUGGAGE ANCHOR POINTS



SL1749

 **All items carried in the luggage area should be properly secured.**

1. Bag hooks.
 - The bag hooks should only be used to secure light items such as shopping bags.

2. Load securing lashing eyes.
 - To assist in safely securing large items of luggage, four lashing eyes are located in the rear loadspace floor. If adjustable lashing eyes are fitted, lift the locking lever, move to the required position then push down to relock.

Note: A range of approved luggage retention accessories is available from your Land Rover Dealer/Authorised Repairer.