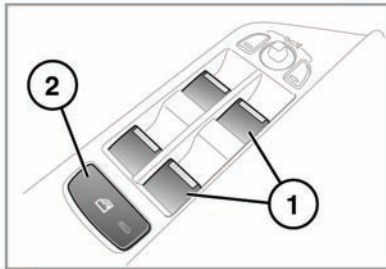
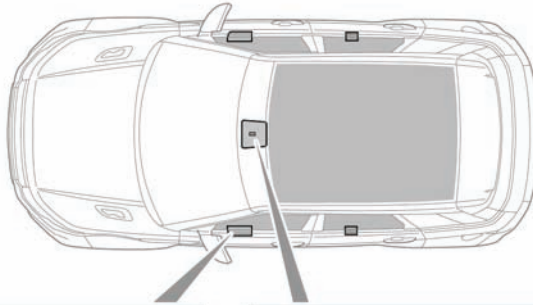
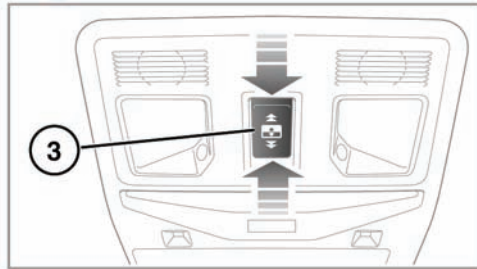


ELECTRIC WINDOWS AND PANORAMIC ROOF BLIND



SL1854



1. Briefly pull a switch fully up and release, the window will continue to rise until fully closed. Briefly press a switch fully down and release, the window will continue to lower until fully open. Pressing or pulling a switch again will stop the window.

The windows will operate for 5 minutes after the engine is switched off, as long as none of the doors are opened.

Rear windows have a short drop feature for passenger comfort. The first press of a switch will lower the window a short distance to give a flow of air. A second press will lower the window to its full extent.

Note: Coupe models have fixed rear windows and a different switch pack.

2. Rear window isolator switch.

The rear windows are isolated when the indicator light in the switch is illuminated.



If children are carried in the rear seats, the isolator switch should be used to prevent operation of the windows. If the windows are operated by young children there is a risk of serious injury or death.

3. Roof blind open/close switch:

To open the blind: Push from the rear of the switch and release. The blind will slide fully open.

To close the blind: Push from the front of the switch to the first position and release. The blind will fully close.

A further press will stop movement of the blind.

Alternatively, push from the front of the switch to the second position and hold until the blind reaches the desired position, then release.

WINDOW RESET

If the battery is disconnected or the power supply is interrupted, the windows must be reset.

Once the power supply is restored, reset as follows:

1. Close the window fully.
2. Release the switch, then lift it to the close position and hold for 1 second.
3. Repeat the procedure on each window.

ANTI-TRAP PROTECTION



Closing a window or roof blind onto any part of the body can result in serious injury.



Before closing a window or the roof blind, ensure that no occupants have any part of their body in a position where it could be trapped. Even with an anti-trap system death or serious injury could occur.

Anti-trap protection will stop window or roof blind movement if an obstruction or resistance is detected. Check the window or roof blind and its aperture and remove any obstructions (e.g. ice, etc.).

If it is still necessary to raise the window, the override procedure is as follows:

1. Attempt to close the window, anti-trap will prevent closure and lower the window slightly.

2. Within ten seconds attempt to raise the window again, anti-trap will prevent closure and lower the window slightly.
3. Attempt to close the window for a third time, this time hold the switch in the close position. Hold until closed.

Note: *If this procedure fails to remove the blockage, the window operation may need to be reset.*

RESONANCE WITH LOWERED WINDOWS

if a resonance or booming sound occurs when a rear window is open, lowering an adjacent front window by approximately 25mm (1 inch) will eliminate the condition.