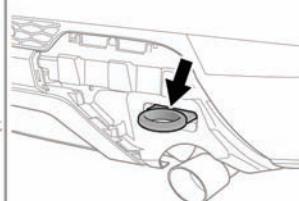
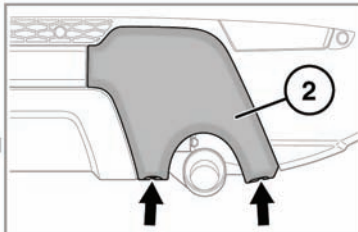
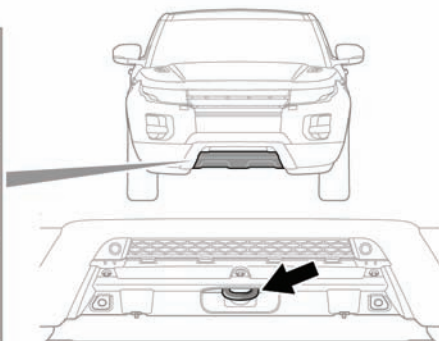
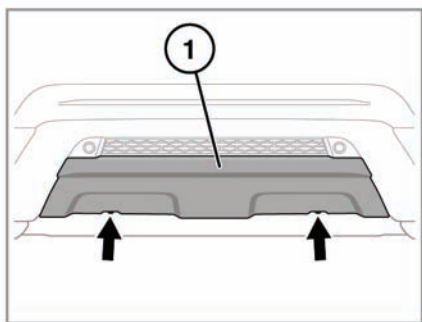


RECOVERY

The method for recovery/ transportation of the vehicle is on a transporter or trailer designed for that purpose.

Ensure that transportation is carried out by suitably qualified person and that the vehicle is secured correctly.



SL1787

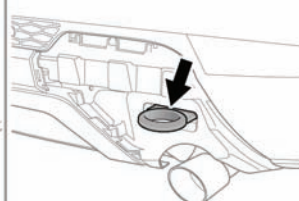
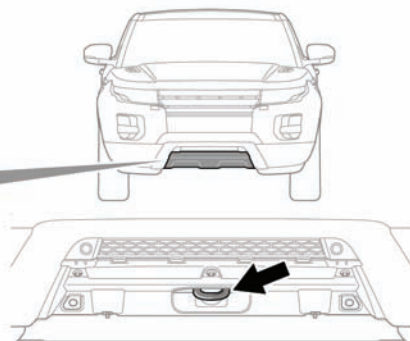
The towing eyes are located behind panels in the bumpers. Panel design will vary depending on the vehicle specification. To use the towing eyes:

1. Front bumper - rotate the two fasteners 90 degrees counter clockwise. Pull the panel away from the front bumper.
2. Rear bumper - rotate the two fasteners 90 degrees counter clockwise. Pull the panel away from the rear bumper.

TOWING EYES



The towing eyes at the front and rear of the vehicle are designed for on-road recovery only. If they are used for any other purpose, it may result in vehicle damage and serious injury.



3. If the Dynamic pack is fitted, the exhaust finisher will also require removal before the towing eye can be used.

Installation of the panels is the reverse of removal.



Remove the towing eye covers before driving off-road, to prevent damage or loss.

OFF-ROAD RECOVERY



If the towing eyes are to be used for off-road recovery, it is essential that off-road driver training covering recovery techniques is undertaken.

Further information on off-road driver training can be found at <http://www.landroverexperience.com>

TOWING THE VEHICLE ON FOUR WHEELS



If the vehicle battery is disconnected or disabled, do NOT attempt to tow the vehicle. Towing may result in serious damage to the transmission.

The vehicle should **NOT** be towed on all four wheels. However, if the vehicle cannot be recovered by using the correct method, please adhere to the following guidelines.



Do not remove the Smart Key from the vehicle as the steering column will lock after a time delay.



If the engine cannot be used during towing, there will be no power assistance to the braking system. This will result in much greater effort to stop the vehicle and in a greatly increased stopping distance.



Towing in a reverse direction with two wheels on the ground, will cause serious damage to the transmission.



Do not tow the vehicle if the gearbox cannot be set in neutral.



The following information is **NOT** recommended practice. With the front wheels suspended, the vehicle can be towed for a maximum of only 50km (30miles), at a maximum speed of

50km/h (30mph). Towing for a greater distance or at a higher speed, may result in serious damage to the transmission.

In an emergency, the vehicle can be towed on all four wheels for a very short distance but it is advisable to have the transmission checked by your Land Rover Dealer/Authorised Repairer.



If the engine is switched off with N selected, the transmission will wait for 10 minutes before selecting P. At this point if the vehicle is being towed, serious damage to the transmission will result. There is also a danger to personal safety.

The following procedure must be carried out:

1. Secure the towing attachment from the recovery vehicle to the front towing point.
2. With the foot brake applied, switch the ignition on to ensure the steering lock is disengaged.
3. Ensure the gear selector is in the neutral (N) position.
4. Leave the Smart Key in a secure place inside the vehicle.
5. Release the parking brake before towing the vehicle.



Leaving the ignition switched on for extended periods will drain the vehicle battery.

AFTER TOWING ON FOUR WHEELS

1. Apply the parking brake. For vehicles with an automatic gearbox, apply the footbrake and then select Park position.
2. Switch off the ignition and remove the Smart Key from the vehicle.
3. Remove the towing attachment and refit the cover panel to the front bumper.

Vehicle recovery



Use extreme caution when detaching towing equipment. Vehicle movement is possible which can result in serious injury.