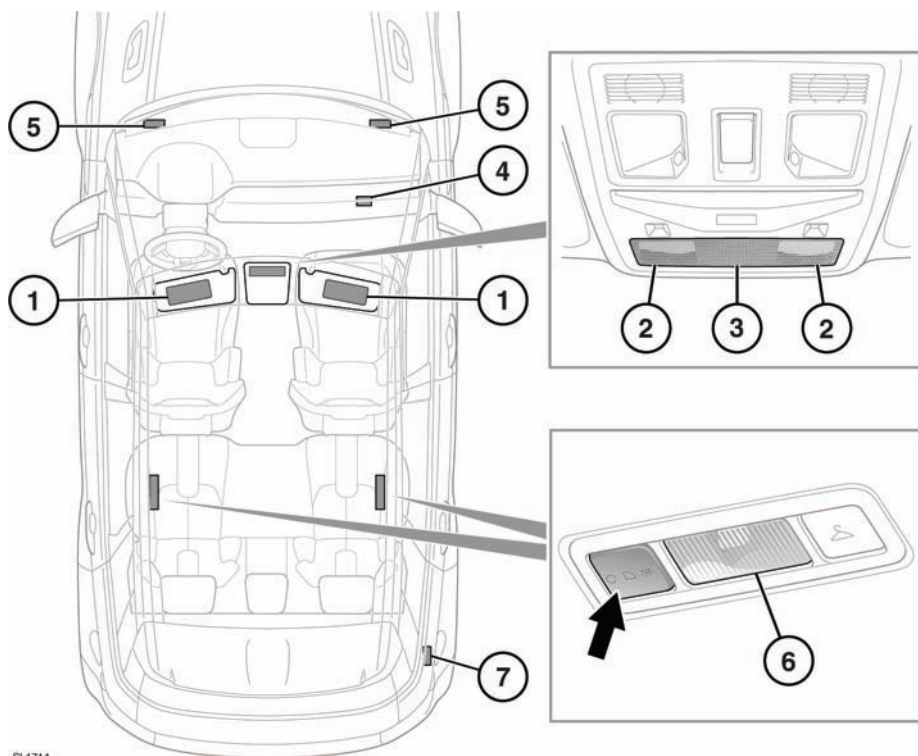


## LOCATIONS



SL1714

1. Sun visor lamps. Illuminates when the vanity mirror is opened.
2. Map reading lamps. Move a finger close to (or touch) the relevant lens to switch on/off.  
**Note:** If you are wearing gloves, it may be necessary to touch the lens to operate the lamps.
3. Front interior lamp. Illuminates when the doors are unlocked and extinguishes 60 seconds after all doors are closed, when the engine starts or when the vehicle is locked. Move a finger close to (or touch) the lens to switch on and off manually. Touch the lens for two seconds to deactivate/activate automatic illumination.
4. Glove box lamp. Illuminates when the glove box is opened.

5. Footwell lamps. Illuminates when the doors are unlocked and extinguishes 60 seconds after all doors are closed, when the engine starts or when the vehicle is locked.
6. Rear interior/reading lamps. Illuminates when the doors are unlocked and extinguishes 60 seconds after all doors are closed, when the engine starts or when the vehicle is locked. Press the switch to switch on and off manually. Touch the front courtesy lamp lens for approximately 2 seconds to deactivate/activate automatic illumination of the rear interior lamps.
7. Luggage compartment lamp. Illuminates when the tailgate is opened.

## INTERIOR LIGHTS INTENSITY

While the exterior lamps are turned on, intensity of interior lights can be adjusted. See **248, CONTROLS**, Interior illumination control.

## AMBIENT LIGHTING

The LED ambient lighting can be adjusted for colour and intensity via the touch screen. The exterior lamps must be turned on while changes are being made via the touch screen. See **104, TOUCH SCREEN OVERVIEW**, Extra features.