

LABEL LOCATIONS



Warning labels attached to your vehicle bearing this symbol mean: Do not touch or adjust components until you have read the relevant



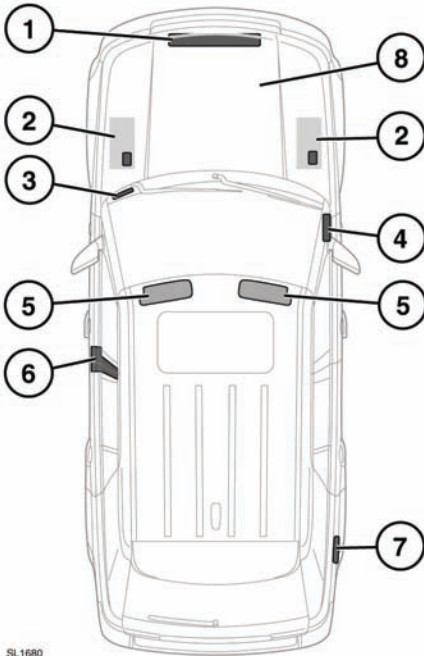
instructions in the handbook.



Labels showing this symbol indicate that the ignition system utilises very high voltages. Do not touch any ignition components while the starter switch is turned on.



Additional information labels may also be found at the following locations:



SL1680

1. Hood locking platform - Air conditioning label
2. Top of battery - Battery warning symbols

3. The VIN is stamped on a plate visible through the lowest part of the left side of the windshield. The number is also stamped into the right side suspension tower.

Note: If you need to communicate with a Retailer you may be asked to quote the VIN number.

4. End of facia (passenger side) - Passenger air bag label.
5. Sun visor - Air bag label, vehicle handling label.
6. Base of B pillar or rear of front door - Tire pressure label, air bag warning label.
7. Inside gas filler flap - Fuel label.
8. Engine numbers are on the right side of the engine block and camshaft cover.

It is important that you are familiar with these subjects to ensure that your vehicle and its features are used safely.

VEHICLE IDENTIFICATION NUMBER (VIN)

The VIN is a unique number which identifies your vehicle. Unlike the vehicle registration number it cannot be transferred and remains with your vehicle for its life.

Numerics

4 x 4 Info 180

A

ABS 96
Electronic Brake Distribution (EBD) 97
Emergency Brake Assist (EBA) 96
steep slopes 96

ACC

advanced emergency brake assist 111
automatic low speed switch off 109
automatic switch off 109
changing the follow mode gap 108
detection beam 110
driving hints 109
follow mode 107
forward alert 110
forward alert warning lamp 110
malfunction 110
overriding the speed and follow mode 108
resuming follow mode 109
setting the follow mode gap 107

ACC (Adaptive cruise control) 107

Accessories 197

Adaptive cruise control (ACC) 107

Adaptive front lighting system (AFS) 42

Advanced emergency brake assist 111

AFS 42

Air bag service information 40

Air bag warning lamp 38

Air bags 35

components 36

deployment 38

modifications 186

obstruction 37

occupant detection 39

operation 36

Air conditioning 69

rear seats 72

Air suspension 93

access height 94

adjusting settings 93

crawl mode 94

extended off-road height 94

off-road height 93

remote operation 95

Alarm activation 13

Alarm deactivation 9

Alternative fuels 183

Antifreeze check 204

Audio

iPod 131

overview 120

portable audio 131

sound settings 120

USB devices 131

Auto high beam 42

Autolamps 41

Automatic climate control 69

Automatic transmission

automatic mode 87

AUX socket 143

Auxiliary connections 143

Auxiliary input (AUX IN) socket 131

Auxiliary input socket 135

Auxiliary power sockets 75

B

Battery care 215

Battery charging 218

Battery warning lamp 84

Battery warning symbols 215

Blind spot monitor 54

sensor blockage 55

system fault 55

Bluetooth 153

adding or changing a telephone 154

compatibility 153

Boost starting 216

Booster cables 216

Booster cushions 30

Brake fluid check 204

topping up 205

Brakes	
principle of operation	96
Bulb changing	191
Bulb specification chart	211
C	
California proposition 65 warning	186
Cancel navigation guidance	173
Cancel navigation voice guidance	173
Capacities	208
Car wash	197
CD autochanger	130
CD autochanger loading	130
CD player	
loading a CD	129
main menu	128
MP3 playback	129
play options	129
playing a CD	128
track selection	128
Changing a bulb	191
general information	191
Changing a fuse	229
Changing a road wheel	234
jacking points	236
operating the jack	236
stowing the removed wheel	237
wheel changing safety	235
wheel chocks	235
Changing the vehicle battery	218
battery disposal	219
disconnecting	218
effects of disconnecting	219
refitting	219
replacement batteries	219
Changing the voice system volume	152
Chassis view - 4 x 4 info	180
Child locks	25
Child seats	29
anchor points	33
check list	30
LATCH anchor points	33
positioning	32
safety	30
seat belt locking mechanism	30
tether anchorage points	34
tether straps	34
Cleaning stubborn stains	198
Cleaning the exterior	197
after off-road driving	198
Cleaning the interior	198
air bag module covers	200
audio system	200
instrument panel	200
leather care	199
plastic and cloth	199
seat belts	199
touch screen	200
Climate control	69
rear seats	72
Climatic seats	71
Clock	61
Compass view - 4 x 4 info	180
Connecting auxiliary devices	135
Coolant check	203
Cornering lamps	43
Courtesy delay (headlamps)	41
Courtesy lighting	44
Cruise control	105
engaging	105
increasing speed	105
reducing speed	105
suspending	106
Cup holders	74
D	
Daily maintenance checks	187
Data recording	241
service	197
Daylight running lamps	42
Deployable side steps	
jacking	235
Dimensions	210
Disability modifications	40, 186

Disarming the alarm		Engine oil disposal	189
deactivating a triggered alarm	9	Event data recording	241
unlock button failure	9	Exterior mirrors	52
Door locks	14	adjusting and folding	52
Door mirrors	52	mirror dip when reversing	52
Drive away locking	13	External temperature	61
Driving after a collision	241		
before starting or driving	241	F	
Drop plate tow bar	83	Facia controls	254
DVD		Fastening the seat belts	25
formats	139	Flat spots	224
loading a disc	136	Fog lamps	41
main menu	138	Follow mode	107
menu selection	138	changing the gap	108
playing a DVD	139	overriding the speed	108
special features	139	resuming	109
using an alternative audio source	139	setting the gap	107
		Forward alert	110
E		warning lamp	110
Electric seats	15	Front seat heaters	70
driving position memory	17	Fuel consumption display	64
easy exit/entry	18	Fuel filling	182
Electric steering column	24	octane rating	182
Electric sunroof		Fuel filling safety precautions	182
calibration	197	Fuel gauge	61
reset	197	Fuel tank capacity	184
Electric windows		Fuel types	183
overriding anti-trap protection	50	Fuse boxes	229
Emergency starting	84	Fuse replacement	229
Emission control system	86	Fuses	230
Engine		G	
rolling restart	86	Garage door opener	57
switching off	85		
switching off while moving	85		
Engine coolant check	203		
topping up	203		
Engine data	208		
Engine fails to start	85		
Engine oil check	202		
checking the oil level	202		
oil specification	203		
topping up	202		

Garage door transceiver	
before programming	57
entry gate programming	59
erase programming	59
information and assistance	59
programming	57
reprogramming a single garage door	
opener button	58
rolling code device equipment	
programming	58
Gas cap flap	184
Gas cap flap - emergency release	184
Gas filling	182, 185
alternative fuels	183
octane rating	182
tank capacity	184
Gas tank capacity	184
Gearbox	
CommandShift mode	88
drive mode	88
kick-down	88
neutral	87
reverse	88
reverse gear	87
sport mode	88
Gearbox fault	88
Global closing	13
Global opening	9
Gradient acceleration control	113
Gradient release control (GRC)	116

H	
HDC	115
Head restraints	
front seats	18
rear seats	22
Headlamps	41
high/low beam	41
power wash	47
washers	48
Heated front seats	70
Heated rear seats	72

Heated screens	70
High/low beam	41
Hill descent control	115
Hill start assist	113
Homelink	57
Hood lock	189

I	
Ignition	
switching off	85
Ignition on	84
Information messages	62
Installing an LATCH child restraint	33
Instrument panel overview	61
Interior lights	44
front	44
rear	44
iPod connection	131

J	
Jacking	236
deployable side steps	235
Jacking points around the vehicle	236

K	
Keyless start backup	84
Keyless starting	84

L	
Label locations	242
Lashing points	238
LATCH	
anchor points	33
anchor points installation	33
child seats	33
child seats installation	33
Lighting	
interior	44
Lighting control	
headlamp courtesy delay	41

Lights	41	Media hub (portable media)	131
adaptive front lighting (AFS)	42	Message center	61
auto high beam	42	Mirrors	
autolamps	41	blind spot monitor	54
cornering lamps	43	exterior	52
courtesy lighting	44	operation	52
daylight running	42	powerfold	52
exterior	41	reverse auto-dip	52
headlamp courtesy delay	41	Modifications	
headlamps	41	disability	186
high/low beam	41	MP3 tracks on CD	129
interior	44	Multi-point entry	9
main switch panel	41		
sidelights	41	N	
Load limit	227	Navigation	160
Loading the CD autochanger	130	adding waypoints	166
Loadspace cover	78	alternative routes	166
Loadspace safety net	80	calibrating vehicle position	161
Locking		cancel guidance	173
child locks	25	changing waypoints order	167
drive-away locking	13	deleting a memory point	169
mislock	13	editing memory points	169
smart key global closing	13	entering a destination	163
with the smart key	13	guidance volume	161
Locking and unlocking		legals	178
from inside the vehicle	14	POI categories	170
master switch	14	points of interest (POI)	170
Locks		previewing a route	167
changing the smart key battery	12	previewing POIs	167
Lubricants	208	previewing whole route	168
Luggage anchor points	79	recalling a destination	165
Luggage cover	78	route changes	166
		route preferences	166
M		screen mode options	163
Maintenance		screen overview	162
arduous driving	187	setting avoid points	169
daily checks	187	setting preferences	161
general information	187	storing home location	170
hazardous substances	187	storing new locations	168
safety	188	things you need to know	160
technical specifications	208	turning on	160
used oils	189	vehicle position error	160
weekly checks	187		

voice control	173
voice control commands	173
voice guidance cancel	173
Navigation off road	171
new route	171
route options	172
using a stored route	172
Notepad	151
deleting notes	152
playing notes	152
recording a note	151

O

Occupant detection	39
Octane rating	182
Odometer	64
Off road navigation	171
Off-road driving	
wading	113
Off-road driving guidance	112
Oil check	202
Opening and closing the hood	189
Owner maintenance	187

P

Parking aid	
principle of operation	103
sensor care	104
system fault	104
when towing	104
Parking brake	
applying	97
releasing	97
Parking sensors	103
Parts	197
Parts and accessories	186
Personalising the instrument panel	
display	63
Phone	153, 155
Playing a CD	128

Portable audio	131
browse	133
connecting multiple devices	134
connections	131
controls	133
repeat	133
search	133
shuffle	133
skip/scan	133
source selection	133
touch screen operation	133
track list	133
track search	135

Power seats

driving position memory	17
easy exit/entry	18
Power sockets	75
Power steering fluid check	205
topping up	206
Puddle lamps	44

R

Radio

autostore	123
main menu	123
PTY (program type)	124
RBDS (radio data system)	124
station search	124
station tuning	124
touch screen controls	123
Rain sensor	47
Reading lamps	44
Rear loadspace cover	78
Rear seat heaters	72
Rear seats	
erecting	20
folding	20
head restraints	22
reclining	21

Rear storage area	
DVD player	77
fuel flap emergency release	77
rear fuse box	77
tow hitch stowage	77
warning triangle	77
Rear view camera	117
Rear view mirrors	52
Rear window washer	47
Rear window wiper	47
Recommended towing weights	81
Recovering your vehicle	238
Refuelling	182, 185
Remote control	
changing the battery	12
Repairing minor paint damage	198
Replacing wiper blades	200
Reporting safety defects	5
vehicle defects	5
Restraints	29
Rolling restart	86
Roof racks	79
RSE	
AUX connections	143
AV1 and AV2	143
control from the front seats	142
DVD menu options	147
DVD region codes	149
headphones	142
home menu options	146
listen to menu options	148
remote control	145
remote control unlatching	146
screen features	148
screen format	149
screen icons	146
screen settings	149
supervisor screen	141
turning on	142
watch menu options	147
Running out of gas	183

S

Safety	
air bags	35
child locks	25
child seats	29
child seats check list	30
seat belt checks	28
using a telephone	153
wheel changing	235
Sat Nav	160
Satellite navigation	160
Satellite radio	
channel update	127
controls	126
reception	127
subscription	127
Scratches and chips	198
Screen heaters	70
Seat belt locking mechanism	30
Seat belt reminder	28
Seat belts	25
fastening a seat belt	25
height adjustment	25
releasing a seat belt	25
safety checks	28
use during pregnancy	25
warning lamp	28
Seat belts care	27
Seats	
child seats	29
Service data recording	197
Service interval indicator	61, 62
Settings	
touch screen	120
Sidelights	41
Single-point entry	9
Sitting in the correct position	16

Smart key	
approach lighting	6
changing the battery	12
emergency key blade	8
failure	9
global closing	13
global opening	9
locking	13
panic alarm	6
single/multipoint entry	9
tailgate release	6
transmitter warning	10
unlocking	6
Snow chains	224
Spare wheel access	234
Spare wheel removal	235
Specifications	
accessory wheels and tires	212
Speech activation	150
Speedometer	61
SRS (Supplementary restraint system)	35
Stability	4
Stability control	91
Starting a disabled vehicle	216
Starting problems	85
Steering column adjusting	24
Steering column lock	10, 84
Steering wheel heater	24
Stop navigation guidance	173
Stop navigation voice guidance	173
Stopping the engine	85
Stowing a removed wheel	237
Sun blinds	49
Sun visor lamps	44
Sunroof	49
anti-trap protection	50
blinds	49
operation	49
Supplementary restraints system	35
Surround camera system	117
Switching the ignition on	84
System settings	120

T

Tachometer	61
Tailgate	
emergency opening	11
opening	10
Technical specifications	
bulbs	211
capacities	208
dimensions	210
engine data	208
lubricants and fluids	208
smart key transmitters	213
weights	209
wheel alignment	210
wheels and tires	212
Telephone	153
Bluetooth	153
call divert	155
call register	157
call volume	155
compatibility	153
continuing a call	156
digit dial	155, 156
ending a call	155
general information	153
incoming calls	156
last number redial	155
last ten calls	157
making a call	155
messages	157
missed calls	157
new nametags	159
pairing	154
phonebook	156
previous calls	157
safety	153
scratchpad	156
status	155
touch screen operation	155
voice commands	158
voice control	157
voice mail	155
voice nametags	158

Temperature gauge	61	Towing a trailer	81
Terrain response		electrical connection	81
before driving off-road	112	essential checks	82
driver override options	113	levelling	81
operating	112	recommended weights	81
Tether straps for child seats	34	Towing points	238
Tires		front and rear towing eyes	238
accessory tire pressures	212	Towing your vehicle	238
age degradation	224	TPMS	
correct load limit	227	full size spare wheel	101
flat spots	224	operation	100
for winter use	224	replacement sensor	102
glossary of terms	226	Traction control	92
markings	220	Traction devices	224
pressure compensation for		Trailer stability assist	92
temperature changes	224	Trailer target sticker	117
pressures	222	Transfer gearbox range changing	88
punctures	223	Transmission	
quality grades	225	automatic mode	87
replacing	223	CommandShift mode	88
speed ratings	221	drive mode	88
temperature grading	226	kick-down	88
tire care	221	neutral	87
traction grading	226	reverse	88
tread wear grading	225	reverse gear	87
valves	223	sport mode	88
Touch screen		Transmission fault	88
portable media controls	133	Trip computer	64
telephone controls	155	Trip distance	64
Touch screen care	120	Trip recorder	61
Touch screen controls for 4 x 4 info -		Trip recorder memory	64
Chassis view	180		
Touch screen settings	120	U	
audio sound	120	Unlocking the vehicle	6
system	120	USB devices	131
vehicle	120	Using booster cables	216
voice	120	Using cruise control	105
Tow assist camera	117	resuming a set speed	106
Tow bar		Using HDC	115
drop plate	83	operation	115
Tow point cover removal	238	selecting	115
		Using seat belts during pregnancy	25

Using stability control	91
deactivating DSC	91
DSC	91
reactivating DSC	91
Using the smart key	
global opening	9
single/multi-point entry	9
unlocking	6
Using traction control	92
Electronic Traction Control (ETC)	92

V

Valet mode	121
Vehicle build date plate	242
Vehicle identification number (VIN)	242
Vehicle information and settings menu	63
Vehicle label locations	242
Vehicle recovery	238
lashing points	238
off-road	239
on a trailer	238
towing on four wheels	239
towing points	238
Vehicle settings	120
Vehicle settings menu	63
Vehicle stability	4
VIN locations	242
Voice control	150
command list	150
help mode	150
navigation commands	173
notepad	151
operating guide	151
session interruptions	151
telephone	157
tutorial	151
voice button	150
volume	152
Voice mail	155
Voice settings	120

W

Wading depth	113
Warning lamps	65
battery warning	84
forward alert	110
primary warnings	65
seat belt	28
secondary warnings	65
status check at ignition on	65
system status	65
Warning messages	62
Washer fluid check	207
topping up	207
Washers	
headlamp	48
rear	47
Washing	197
Weekly maintenance checks	187
Weights	209
Wheel alignment specifications	210
Wheel changing	
safety	235
Wheel chocks	235
Wheels	
accessory specifications	212
safety when changing a wheel	235
Wheels and tires	
technical specifications	212
Windows	49
anti-trap protection	50
one-touch operation	50
operation	49
window isolator	49
Windshield washer jets	
blocked jets	201
Windshield wipers	46
operation	46
rain sensor	47
single wipe	46
speed-dependent mode	47
Wiper blade replacement	200

Wipers	46
intermittent variable delay	47
rain sensor	47
rear	47
speed-dependent mode	47