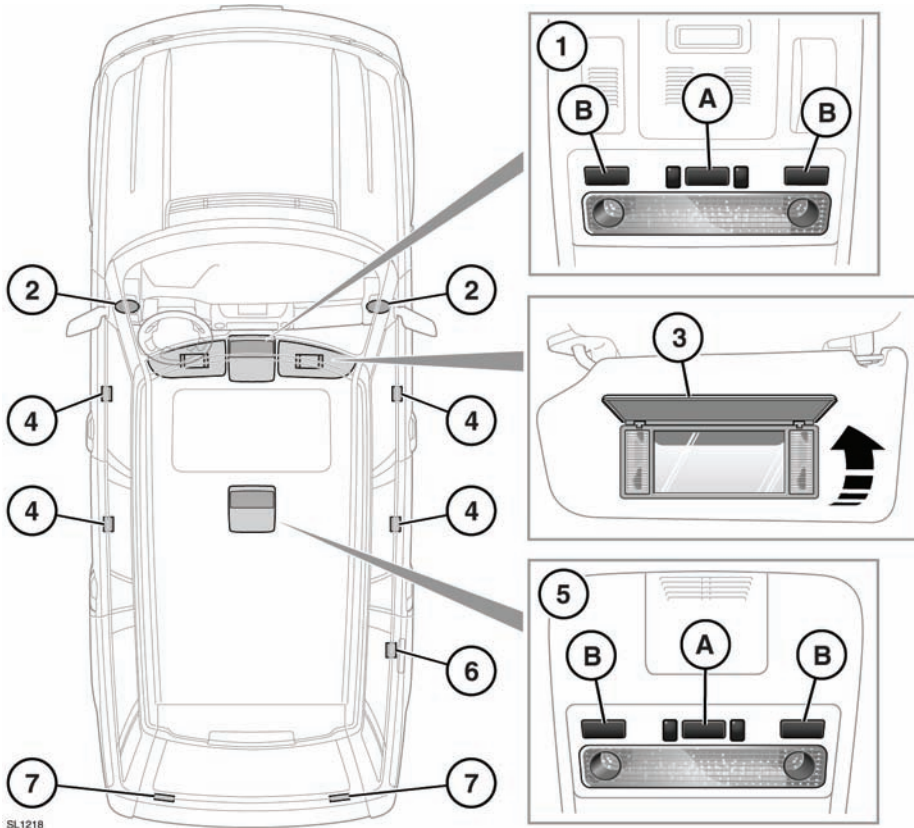


INTERIOR LAMPS



1. Map reading/interior lamps:

A. Main interior lamp control (on/off/Auto).

To activate or deactivate Auto mode, press and hold for longer than 3 seconds. In Auto mode the lamps will illuminate when a door is opened.

B. Map light controls (on/off).

2. Upper footwell lamps.

3. Sun visor lamps:

To operate, raise the cover on the vanity mirror.

4. Door puddle lamps.

5. Rear interior light control:
 - A. Main interior lamp control (on/off/Auto).

To activate or deactivate Auto mode, press and hold for longer than 3 seconds. In Auto mode the lamps will illuminate when a door is opened.
 - B. Map light controls (on/off).
6. Luggage lamp.
7. Tailgate lamps.

INTERIOR COURTESY LAMPS

The interior, footwell, puddle, luggage and tailgate lamps illuminate automatically whenever the vehicle is unlocked, when the ignition is turned off, or when a door or tailgate is opened. The lamps remain illuminated for 60 seconds after the doors and tailgate are closed, or until the ignition is switched on.