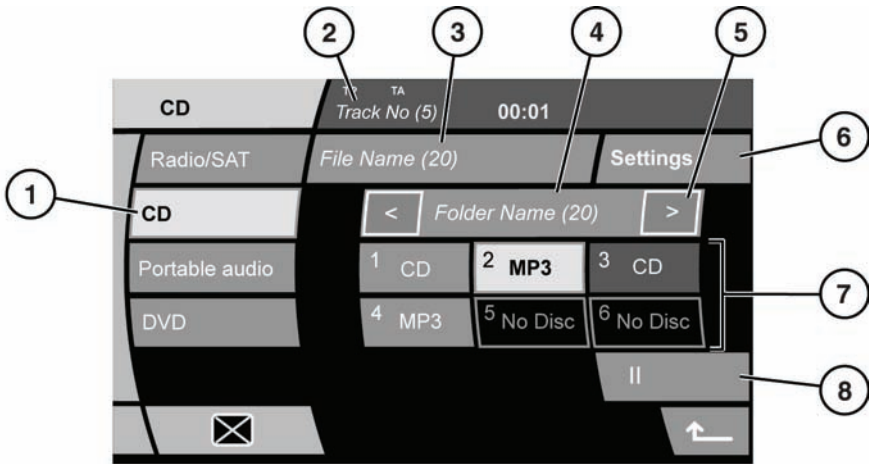


CD PLAYER MENU



SL1741

⚠ WARNING

Do not adjust the touch screen controls or allow the system to distract the driver while the vehicle is moving. Driver distraction can lead to accidents causing injury or death.

1. **CD** mode select.
2. Information area. Current track number and time elapsed.
3. Track information and the total number of tracks on the CD.
4. MP3 folder information.
5. Use the arrow soft keys to navigate between MP3 folders. If a folder is displayed for two or more seconds, the content of that folder will begin play.
6. **Settings**. Options for Random play, Repeat and CD scan.
7. **CD select**. Shows which of the six CD magazine slots are in use and what type of media is on the CD.
8. **Pause play**. Touch again to resume play.

PLAYING A COMPACT DISC

If a CD is loaded, playback will resume from the point of last play. If no CD is present, **No disc** will appear in the display.

A CD containing MP3 tracks may take longer to load if there are more tracks than on a normal CD. To minimise loading time, a rigid folder structure is recommended.

Touch a CD select soft key to load and begin play of that CD. CD and track information will be displayed.

If RBDS is on, Traffic and News information may interrupt CD play. Briefly press the INFO hard key to cancel or return to Radio mode and turn RBDS off.

CD TRACK SELECTION

Pressing and holding the search hard keys or steering wheel controls will fast forward or rewind the CD.

PLAY OPTIONS

Select **Settings** for the following options;

- **Random:** Select to play tracks in a random order. Touch again to cancel.
- **Repeat:** Select to play the current track repeatedly.
- **Scan:** Select to play the first 10 seconds of each track on the CD in turn.

Note: Repeat and Scan can be cancelled by pressing the track up or down button.

If a different audio source is selected, or the unit is turned off, the selected play option will be cancelled.

MP3 FILE PLAYBACK

If an MP3 CD is to be used, each session must be properly closed, but the whole disc does not have to be finalised.

When Track list is selected, the list of folders and MP3 files is displayed in alphabetical order. Select a folder to view, and select the tracks contained within.

- Only CDDA discs can be loaded into the CD player.
- The highest compression rate supported, is 320k bits per second (kbps). If anything less than 128 kbps is used, Digital Signal Processing (DSP) functionality may be lost.
- The CD player may take a longer time to load an MP3 disc, if there are more tracks than on a normal CD. To minimise loading time, a rigid folder structure is recommended.
- If a CD contains a mixture of MP3 and CDDA tracks, any MP3 tracks will be ignored.

LOADING COMPACT DISCS

NOTICE

Do not use irregular shaped CDs or CDs with a scratch protection film or self-adhesive labels attached. It is likely that the disc will not eject and will block the CD mechanism. Such damage to a CD player will not be covered under warranty.

NOTICE

The CD unit will play compact discs that conform to the international Red Book standard audio specification. Playback of CDs not conforming to this standard cannot be guaranteed.

NOTICE

Recordable (CD-R) discs and re-writable (CD-RW) discs, may not function correctly.

NOTICE

Dual format, dual-sided discs (DVD Plus, CD-DVD format), are thicker than normal CDs and consequently, playback cannot be guaranteed and jamming may occur.

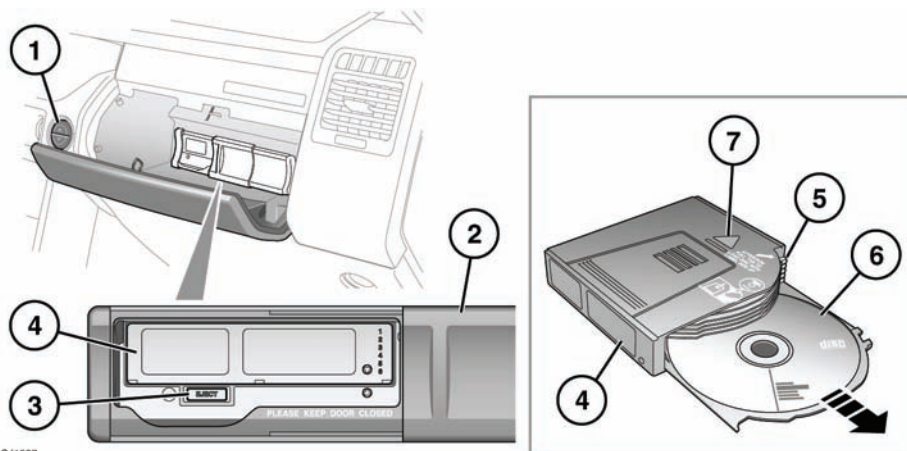
It is recommended that only high quality 12 cm (4.7 in.) circular discs are used.

The unit will play the following formats:

- Compact Disc Digital Audio (CDDA) discs.
- MP3 files.
- WMA files.
- WAV files.
- AAC files.

Note: *Copy-protected CDs may fail to play in your CD changer or may be played subject to various limitations (e.g. sound quality may be impaired). If you experience a problem, try the CD in other players before contacting the CD vendor.*

CD AUTOCHANGER



SJ1587

⚠ WARNING

Do not change the CDs or allow the CD autochanger system to distract the driver while the vehicle is moving. Driver distraction can lead to accidents causing injury or death.

1. Press to open the upper glove box.
2. Slide the door open.
3. Press to eject the CD magazine.
4. CD magazine.
5. Pull out a CD tray by its tab.
6. Place a CD, with its label on top, into the tray. Ensure it is located properly. Close the tray.
7. Insert the CD magazine into the autochanger in the direction of the marked arrow.
8. Close the sliding door.