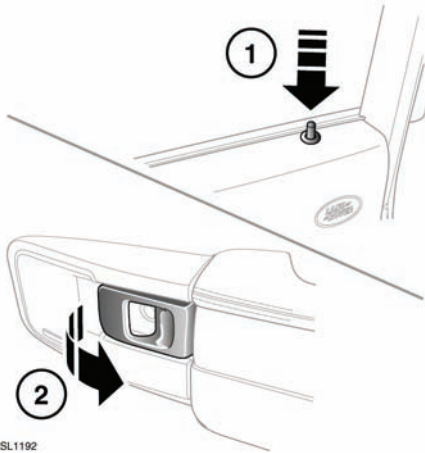


Interior locks

DOOR BUTTONS AND LEVERS

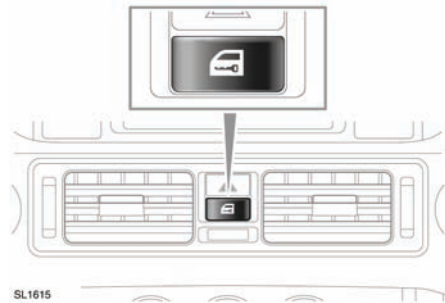


SL1192

1. Press the button on the selected door to lock the door.
2. Pull the lever once to unlock the door; pull once more to open the door.

Note: If the vehicle was locked using the Smart Key, operating the interior door release lever will only unlock the door. If the door is opened the alarm will sound.

MASTER LOCKING SWITCH



Press to lock or unlock all doors and luggage compartment.