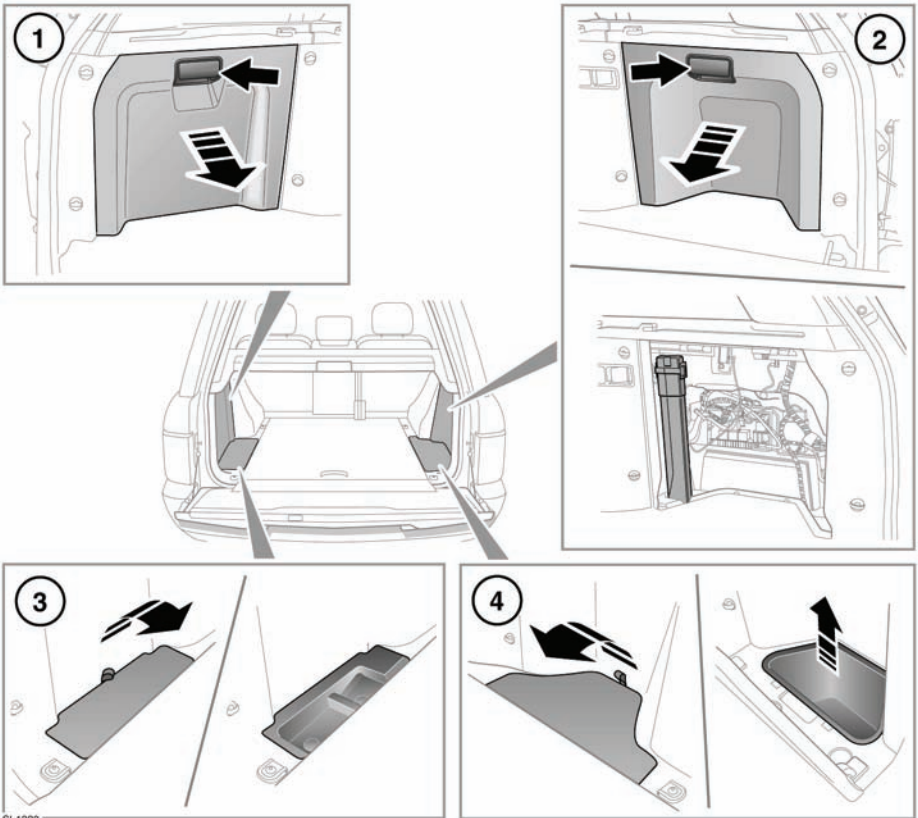


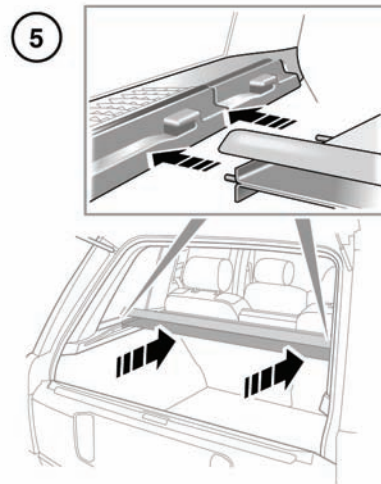
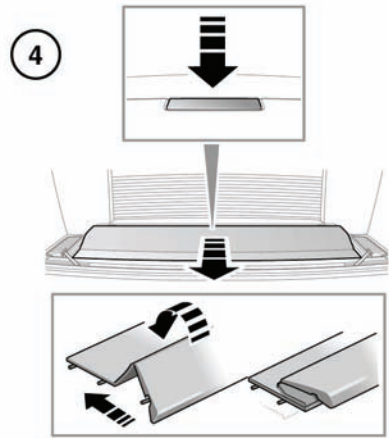
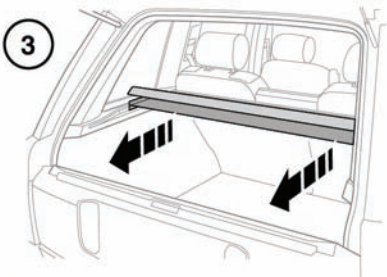
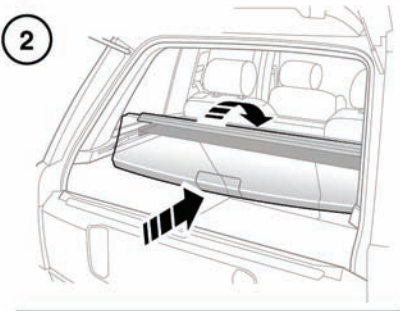
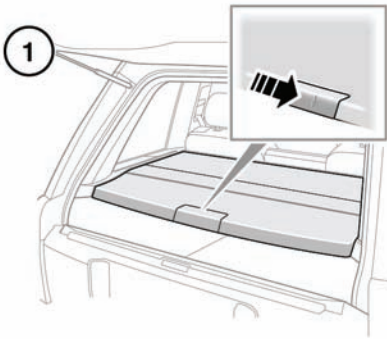
REAR LOADSPACE STORAGE AREAS



1. Access hatch. The optional DVD player is located here.
Lift the catch and pull the hatch away from the side of the vehicle.
2. Access hatch. Used for warning triangle and rear fuse box. The emergency gas filler flap release is located here.
Lift the catch and pull the hatch away from the side of the vehicle.
3. Left side floor storage.
4. Right side floor storage. The tray is removable. If a detachable tow hitch is fitted, this area is used to store the tow hitch.

SL1223

REAR LOADSPACE COVER



SL1441

⚠ WARNING

Never place objects on top of the loadspace cover. During an accident or sudden maneuver, loose objects can cause serious injury or death.

1. To fold the loadspace cover, push firmly

down and forwards.

2. Lift slightly and fold forwards.

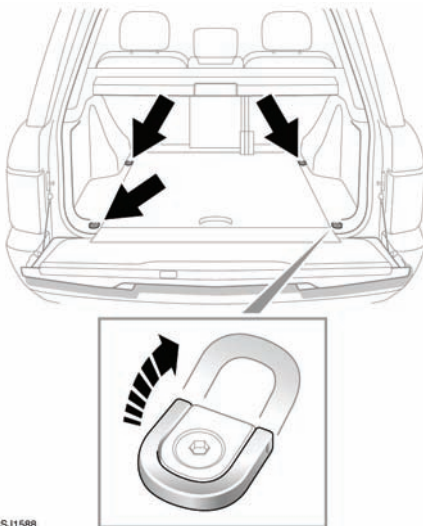
3. Pull the whole assembly rearwards to disconnect the locating pins. Remove and store safely.

⚠️WARNING

Do not store the loadspace cover loose in the vehicle. During an accident or sudden maneuver, the loadspace cover could cause serious injury or death.

4. If removal from inside the vehicle is necessary, a head restraint may require removal.
From the rear seat, push firmly down on the furthest edge of the cover while pulling it towards the rear seats. The cover will concertina fold allowing access to the loadspace area.
5. To refit the cover, place the assembly in position, engage the pins in the sockets and press firmly to lock the assembly in position.
6. If required, pull the outer edge towards the rear to cover the loadspace area.

LUGGAGE ANCHOR POINTS



SJ1588

To assist in safely securing large items of luggage, four fixing points are located in the rear loadspace floor.

⚠️WARNING

All items carried in the loadspace area should be properly secured. If the vehicle is involved in an accident, subject to sudden braking or change of direction, loose items can cause serious injury.

Note: A range of approved luggage retention accessories are available from your Land Rover Retailer/Authorized Repairer.

ROOF RACKS

⚠️WARNING

A loaded roof rack can reduce the stability of the vehicle, particularly when cornering and during cross winds.

⚠️WARNING

Driving off road with a loaded roof rack is not recommended.

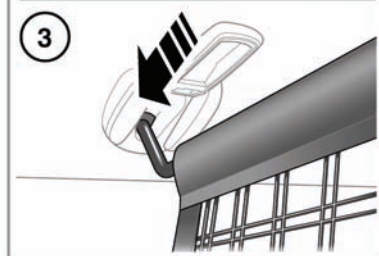
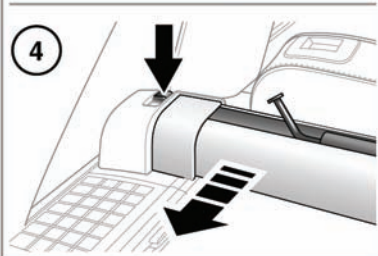
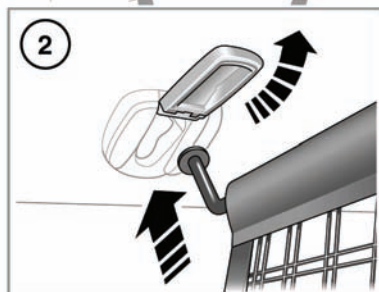
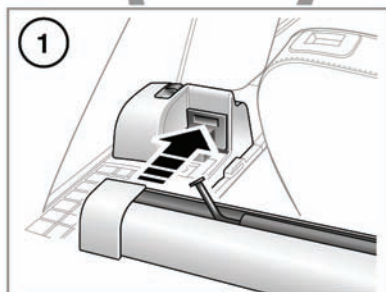
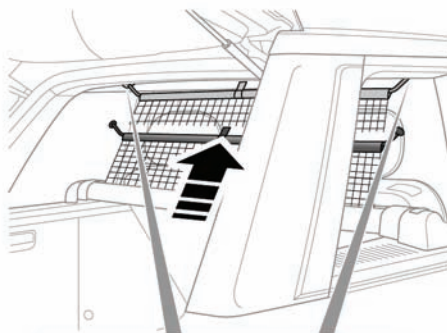
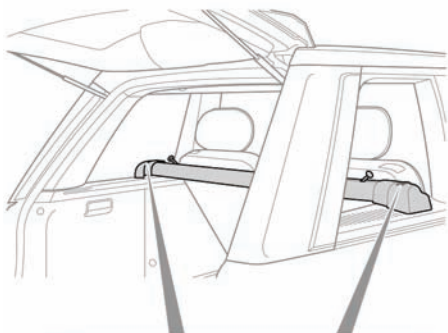
Fit only a roof rack system that is designed for use with your vehicle. For further information, consult your Land Rover Retailer/Authorized Repairer.

The maximum load for a Land Rover approved roof rack system is 220lb (100kg). The weight of the approved roof rack system is not calculated as part of the load.

If an alternative roof rack system is used, the weight of that system must be included as part of the load weight.

Loads must be evenly distributed within the periphery of the rack. After travelling 30 miles (50km) check the security of the roof rack and any load.

LOADSPACE SAFETY NET



- SL1222
1. To use the optional safety net, first lock the assembly into position behind the top of the rear seats.
 2. Open the mounting covers in the roof lining.
 3. Pull the net out of the cassette assembly and hook the tabs into the mounting slots.

4. To remove the assembly, press down on the outer locks and move the assembly towards the rear of the vehicle. Store in a safe place.