

ENGINE DATA

	V8
Capacity	305 cubic inches (4999 cm ³)
Firing order	1-5-4-2-6-3-7-8
Bore	3.64 in (92.5 mm)
Stroke	3.66 in (93 mm)
Number of cylinders	8
Compression ratio	Normally Aspirated - 11.5:1, Supercharged - 9.5:1

LUBRICANTS AND FLUIDS

Part	Specification
Engine oil	SAE 5W-20 meeting specification WSS-M2C925-A only. Land Rover recommends Castrol SLX Professional 5W-20.
Main gearbox oil	Shell ATF M1375.4
Transfer gearbox oil	Shell TF 0753.
Front differential oil	Castrol SAF XO.
Rear differential (non-locking) oil	Castrol SAF XO.
Rear differential (electronic locking) oil	Castrol SAF Carbon Mod Plus.
Power steering fluid	Texaco Cold Climate PSF 14315.
Brake fluid	Shell DOT4 ESL. If unavailable, use a low viscosity DOT4 brake fluid that meets ISO 4925 class 6 requirements.
Windshield washer	Windshield wash with antifreeze protection.
Coolant	50% mixture of Castrol SF antifreeze and water.

CAPACITIES

Item	Capacity
Fuel tank (usable volume)	26.7 gallons (101 litres)
Engine oil refill and filter change - NA	17 pints (8.0 litres)
Engine oil refill and filter change - SC	17 pints (8.0 litres)
Front differential - refill	1.6 pints (0.75 litres)

Item	Capacity
Front differential - dry fill	1.7 pints (0.8 litres)
Rear differential (non-locking) refill	2.4 pints (1.14 litres)
Rear differential (non-locking) dry fill	2.5 pints (1.2 litres)
Rear differential (electronic locking) refill	3.27 pints (1.55 litres)
Rear differential (electronic locking) dry fill	3.4 pints (1.6 litres)
Washer reservoir	13.3 pints (6.3 litres)
Cooling system (refill) - NA	31.7 pints (15 litres)
Cooling system (refill) - SC	33.8 pints (16 litres)

The quoted capacities are approximate and provided as a guide only. All oil levels must be checked using the dipstick, level plugs or driver information module, as applicable.

WEIGHTS

Vehicle weight from ¹	Gross Vehicle Weight (GVW) ²	Gross Train Weight ³ (off-road weights)
5710 lbs 2590 kg	7055 lbs 3200 kg	14771 lbs (9259 lbs) 6700 kg (4200 kg)
1 Including full fuel tank.		
2 The maximum permissible weight of the vehicle including passengers and load.		
3 The maximum permissible weight of the vehicle and braked trailer including their respective loads.		

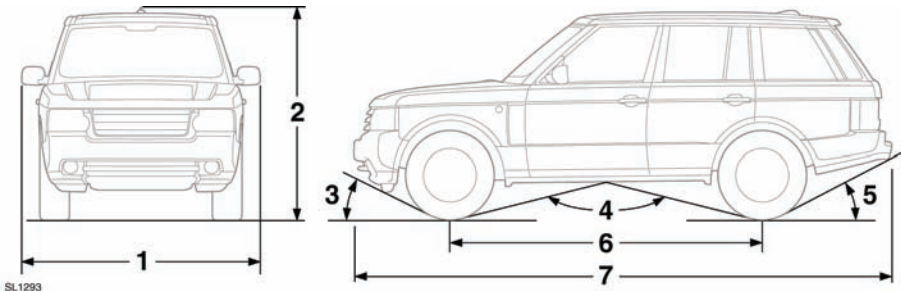
Maximum front axle load ¹	Maximum rear axle load ¹	Maximum roof rack load ² (off-road weights)
3373 lbs 1530 kg	4079 lbs 1850 kg	220 lbs (110 lbs) 100 kg (50 kg)
¹ The front and rear axle maximum loads can not be reached simultaneously as this will exceed the GVW limit.		
² This figure includes the weight of the approved Land Rover roof rack system.		

Technical specifications

WHEEL ALIGNMENT

Variant	Front toe	Rear toe
NA Petrol	0°	0° 18' ± 0° 12'
SC Petrol	0° 9' ± 0° 12'	0° 12' ± 0° 12'

DIMENSIONS



Item	Description	inches (mm)	Degrees
1	Width (including mirrors)	87.2 (2216)	-
2	Overall height - standard setting	73.9 (1878)	-
2	Overall height - Access height	72.3 (1837)	-
3	Approach angle (at curb weight)	Standard setting Off-road setting	29° 34°
4	Ramp breakover angle (at curb weight)	Standard setting Off-road setting	130° 120°
5	Departure angle without tow hitch (at curb weight)	Standard setting Off-road setting	24.2° 26.6°
5	Departure angle with fixed height tow hitch (at curb weight)	Standard setting Off-road setting	15.2° 17.4°
6	Wheelbase	113.4 (2880)	-
7	Overall length	195.6 (4967)	-
-	Track - front	64.1 (1629)	-
-	Track - rear	64 (1625)	-
-	Wading depth	27.6 (700)	-
-	Minimum ground clearance at off-road setting	11.1 (283)	-

Item	Description	inches (mm)	Degrees
-	Turning circle (curb to curb)	39.4ft (12m)	-
-	Brake pedal free travel	No adjustable free travel	

BULB SPECIFICATION CHART

Note: LED bulbs can be replaced only by a Land Rover Retailer.

NOTICE

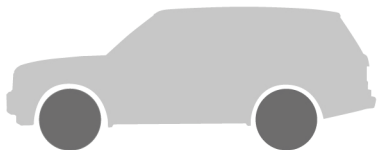
Before attempting to replace a bulb, ensure that both the affected lamp and the vehicle's ignition, are turned off. If the circuit remains live, a short circuit can occur which may damage the vehicle's electrical system.

Lamp	Specification	Power (Watts)
Halogen headlamp	H7	55
Xenon headlamp (low and high beam)	D3S	55
Cornering lamps	LED	-
Front side repeater lamps	W5W	5
Front direction indicators	LED	-
Rear direction indicators	LED	-
Front fog lamps	H11	55
Reverse lamps	H6	6
Rear fog lamps	LED	-
Stop/tail lamps	LED	-
License plate lamps	W5W	5
Puddle lamps	W5W	5
All Interior lamps	W6W	6
Glove box lamp	W5W	5
Vanity mirror lamp		1.2

WHEELS AND TIRES

Wheel size	Tire size	Load Index
8.0J x 19	255/55 R19 V - All terrain tire	111
8.0J x 19	255/65 R19H Goodyear Ultra Grip - winter tire	111
8.5J x 20	255/50 R20 Y - All terrain and all terrain sport tire	109
8.5J x 20	255/50 R20H Continental Cross Contact Winter	109

ACCESSORY WHEELS AND TIRES



① _____

② _____

③ _____

SL1447

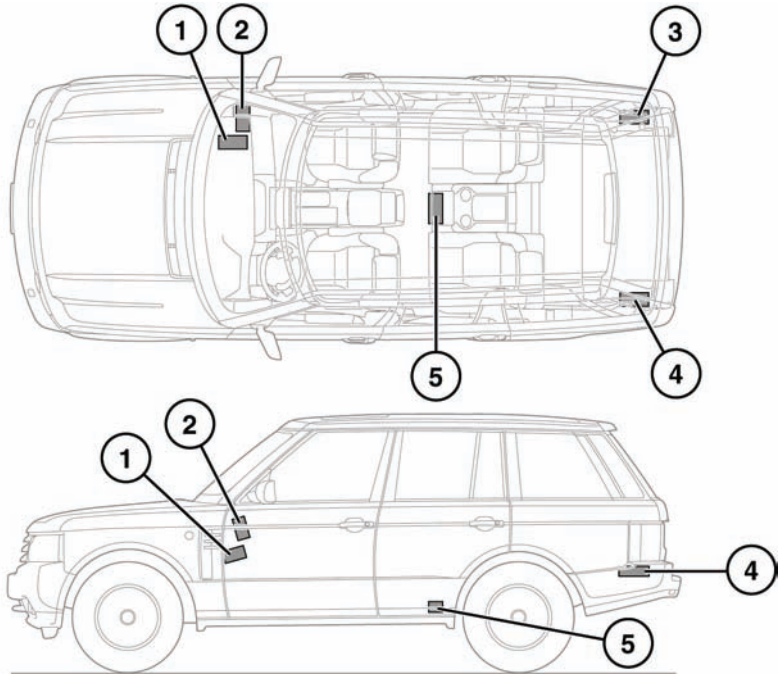
Note: Use the diagram above to record accessory wheel and tire information.

1. Front tire pressure.
2. Rear tire pressure.
3. Wheel and tire information (size, speed rating, etc.).

⚠ WARNING

Contact your Land Rover Retailer/Authorized Repairer before fitting any accessory wheels and tires. Fitting incorrect wheel/tire combinations can seriously affect the ride and handling of your vehicle. In extreme cases, this may lead to loss of control of the vehicle.

SMART KEY SYSTEM TRANSMITTERS



SL1193

1. Keyless start module.
2. Cabin front transmitter.
3. Right-hand side loadspace transmitter.
4. Left-hand side loadspace transmitter.
5. Cabin rear transmitter.

⚠ WARNING

Any person fitted with an implanted medical device should be kept at a distance of at least 8.7 inches (22 cm) away from any transmitter mounted in the vehicle. This is to avoid any possibility of interference between the system and the device.

RADIO FREQUENCY SPECTRUM REGULATION STATEMENTS

USA

This device complies with part 15 of the FCC Rules. Operation is subject to the following two conditions:

- This device may not cause harmful interference, and
- this device must accept any interference received, including interference that may cause undesired operation.

Canada

IC-RSS-210:

Operation is subject to the following two conditions:

- This device may not cause interference, and
- this device must accept any interference, including interference that may cause undesired operation of the device.

The key system transmitter frequency approval numbers for the USA and Canada are a follows:

USA FCC ID:	KOBJTF10A KOBJLR09A KOBJBG10A KOBJBG10B
Canada IC:	3521A-JTF10A 3521-JLR09A 3521-JBG10A 3521-JBG10B
Model Number:	AH22-15K601A AH42-15K602-A AH22-19H440 (PEPS) AH42-19H440 (Passive Start only)

Note: The manufacturer is not responsible for any radio interference caused by unauthorized modifications to this equipment. Changes or modifications not expressly approved by the party responsible for compliance could void the user's authority to operate the equipment.

NOTICE

The Smart Key may suffer interference from other legal users of the this radio frequency band, such as radio amateurs, medical equipment, remote controls or alarm systems. To lock or unlock the vehicle in such a situation, either use a key or operate the key transmitter as close to the security antenna as possible.