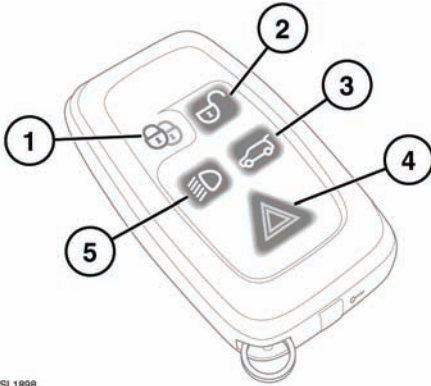


Entering the vehicle

UNLOCKING THE VEHICLE



SL1898



To prevent accidental operation, never leave the Smart Key in the vehicle if children or animals are also left in the vehicle.

Note: There are two designs of Smart Key, refer to the information which is relevant to the design of Smart Key supplied with the vehicle.

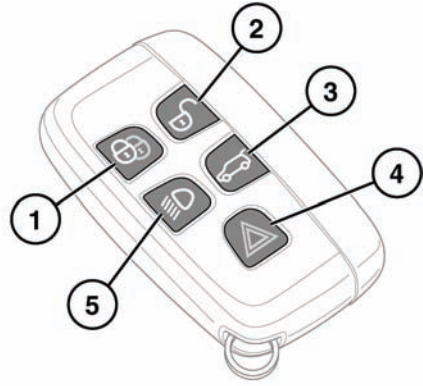
Note: The operational range of the Smart Key will vary considerably depending on atmospheric conditions and interference from other transmitting devices.

Note: If any door or the tailgate is unlocked 10 times within a short period, the latch is disabled for approximately one minute.

The vehicle is supplied with two Smart Keys (of the same design). The Smart Keys act as remote controls for the locking and alarm system, and allow the vehicle to be locked, unlocked and driven without the use of a conventional key. See **LOCKING AND ARMING THE ALARM, 10**. See **KEYLESS STARTING, 80**.

1. Lock.

- Single lock: Press once to lock the vehicle.



- Double lock: Press twice within 3 seconds. See **DOUBLE LOCKING AND FULL ALARM, 10**.
- ### 2. Unlock.
- Press briefly to unlock the vehicle and deactivate the alarm. The hazard warning lamps will flash twice to indicate that the vehicle is unlocked and the alarm has been deactivated. The interior lamps will illuminate to assist entry to the vehicle. See **SINGLE/MULTI-POINT ENTRY, 6**.
- ### 3. Tailgate release.
- Press briefly to release the tailgate. The vehicle security system will remain active while the tailgate is open, but intrusion and inclination sensing systems will be disabled. On closing of the tailgate, the hazard warning lamps will flash after a few seconds to confirm the full alarm system has been reactivated (if previously armed). See **OPENING THE TAILGATE, 7**.

4. Panic alarm.

- Press and hold for 3 seconds (or press 3 times within 3 seconds) to activate the horn and the hazard lamps.

Note: The horn and hazard lamps will switch off automatically after approximately 2 minutes and 45 seconds.

- Once active for more than 5 seconds, the alarm can be cancelled by pressing the button and holding for 3 seconds (or pressing 3 times within 3 seconds).
- The emergency alarm will also be cancelled if a valid smart key is present when the START/STOP button is pressed.

5. Approach lighting.

- When approaching the vehicle during darkness, press to switch on the approach illumination. Press again to turn the approach lamps off.
- The approach illumination period set at the factory is 30 seconds. This delay period may be configured to provide illumination lasting between 0 and 180 seconds. See **VEHICLE**

INFORMATION AND SETTINGS MENU, 52

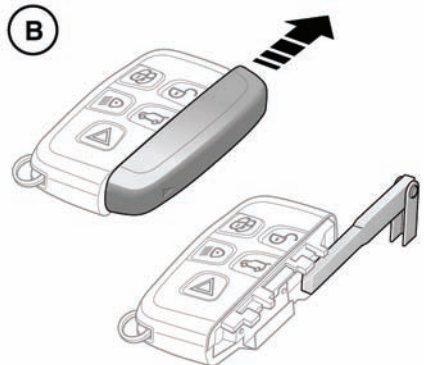
Note: In some markets a second press of the button will turn on the headlamps and reversing lamps. A third press will be required to turn the lamps off.

Note: A replacement Smart Key can only be obtained from your Land Rover Dealer/ Authorised Repairer. The Dealer will require proof of ownership.

Notify your Dealer immediately if a Smart Key is lost or stolen.

Note: The fuel filler flap can only be opened when the vehicle is unlocked.

EMERGENCY KEY

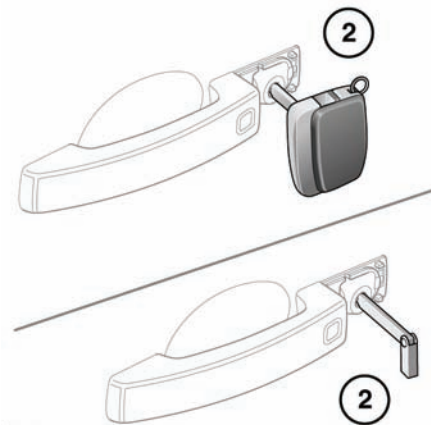
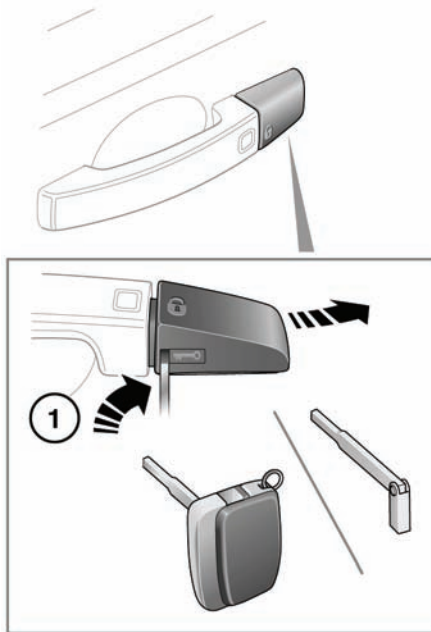


SL1929

Note: There are two designs of Smart Key, refer to the information which is relevant to the design of Smart Key supplied with the vehicle.

- Press emergency key release button and slide out side cover to release the key.
- Slide and remove cover to expose the emergency key.

Entering the vehicle



SL1930

1. Insert the key blade into the slot at the base of the door lock cover and gently lever the key blade upwards.

Carefully twist the key blade, to lever the cover off the retaining clips.

2. Insert the key blade into the exposed lock and turn to operate.

AUTOMATIC RELOCKING

If a door or the tailgate are not opened within 1 minute of unlocking the vehicle, doors will lock again automatically.

SINGLE/MULTI-POINT ENTRY

When you press the unlock button, your vehicle will unlock in one of two ways:

1. Single Point Entry: Unlocks the driver's door and fuel filler flap only. A second press is required to unlock the remaining doors and the tailgate.
2. Multi Point Entry: Unlocks all doors, fuel filler flap and the tailgate on the first press.

Single point entry can be disabled on individual Smart Keys by unlocking the vehicle then simultaneously pressing and holding the lock and unlock buttons for 3 seconds. The vehicle will lock and then unlock and the hazard warning lights will flash twice to confirm the change. You can now unlock all doors with a single press. Repeating the procedure will re-enable Single point entry.

This feature may also be set via the settings menu. See **VEHICLE INFORMATION AND SETTINGS MENU, 52**.

GLOBAL OPENING


Press and hold the Smart Key unlock button for 3 seconds. The alarm will disarm, all doors and the luggage compartment will unlock and all the windows will open.

Press any button on the Smart Key to cancel the operation.

SMART KEY CHECK

Should the last door be closed without a Smart Key present inside the vehicle, the message **Smart Key Not Found - Refer to handbook** will be displayed for 4 seconds in the vehicle message centre, to alert the driver to the absence of a Smart Key. See **KEYLESS START BACKUP, 81**.

STEERING COLUMN LOCK

 During vehicle recovery, the Smart Key must remain inside the vehicle, so that the steering column remains unlocked.

Your vehicle is fitted with an electronic steering column lock. The column unlocks when a Smart Key is detected inside the vehicle.

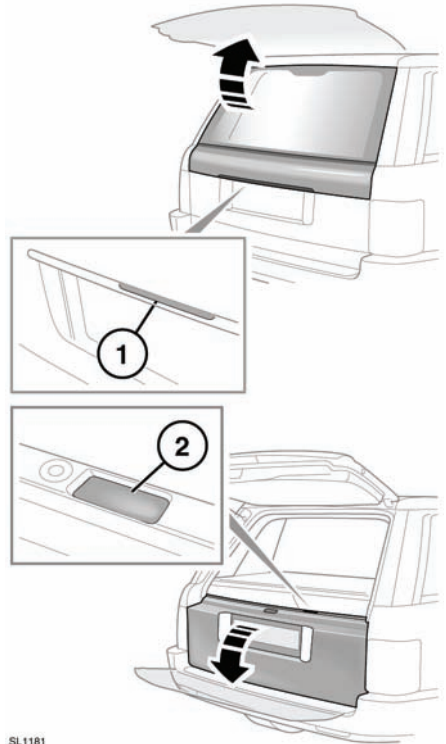
Any malfunction of the steering column lock will be indicated by the message **STEERING COLUMN LOCKED** being displayed in the message centre. If this occurs:

1. Lock and then unlock the vehicle using the Smart Key.
2. Try again to unlock the steering column lock, by turning the steering wheel gently to the left and right.
3. If the problem persists, seek qualified assistance immediately.

OPENING THE TAILGATE



Press to release the tailgate.

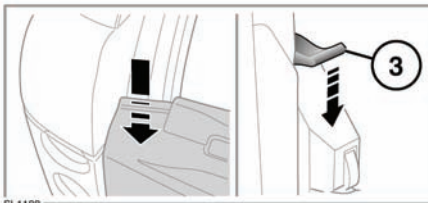
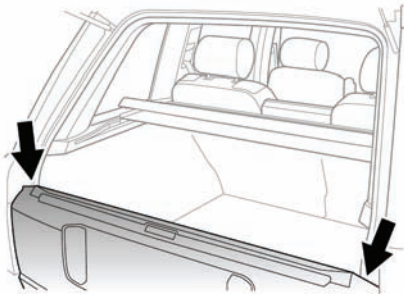
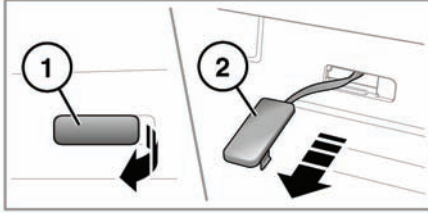


1. With the vehicle unlocked, press the touchpad on the underside of the handle to release the upper tailgate.
2. With the upper tailgate open, press the touchpad on the lower tailgate waist moulding to release the lower tailgate.

Entering the vehicle

TAILGATE EMERGENCY MANUAL OPERATION

3. Push down on the two hidden catches to release the lower tailgate.



SL1188

If the battery has been disconnected or has discharged, the tailgate can be opened manually.

1. Fold the rear loadspace cover and lever out the plastic tab.
2. Pull the tab to release the upper tailgate.

CHANGING THE SMART KEY BATTERY

Note: There are two designs of Smart Key, refer to the information which is relevant to the design of Smart Key supplied with the vehicle.

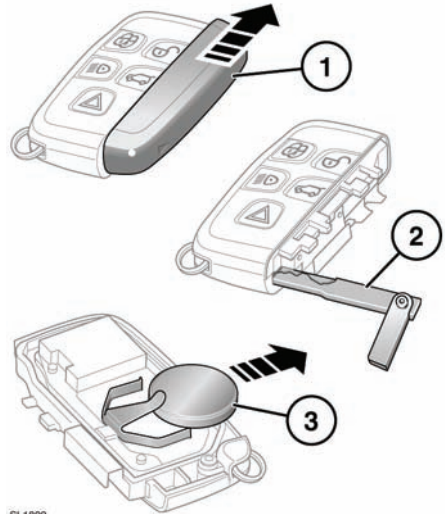
When the battery needs renewing, there will be a significant decrease in the effective range and the message **SMART KEY BATTERY LOW** will be displayed in the message centre.



SL1190

To renew the battery:

1. Press and hold the release button.
2. Open the side cover.
3. Remove the battery drawer and remove the battery.
4. Fit a new CR2032 type battery (available from your Dealer/Authorised Repairer), with the positive (+) side upwards.



SL1899

To renew the battery:

1. Slide the cover in the direction of the arrow until a click is heard. Remove the cover.
2. Use the emergency key blade to separate the Smart key body.
3. Fit a new CR2032 type battery (available from your Dealer/Authorised Repairer), with the positive (+) side upwards.

Note: Avoid touching the new battery, as moisture/oil from fingers can reduce battery life and corrode the contacts.

Refit the parts in reverse order, ensuring that they click securely into place.



Battery disposal: Used batteries must be disposed of correctly, as they contain harmful substances. Seek advice on disposal from your Dealer and/or your local authority.