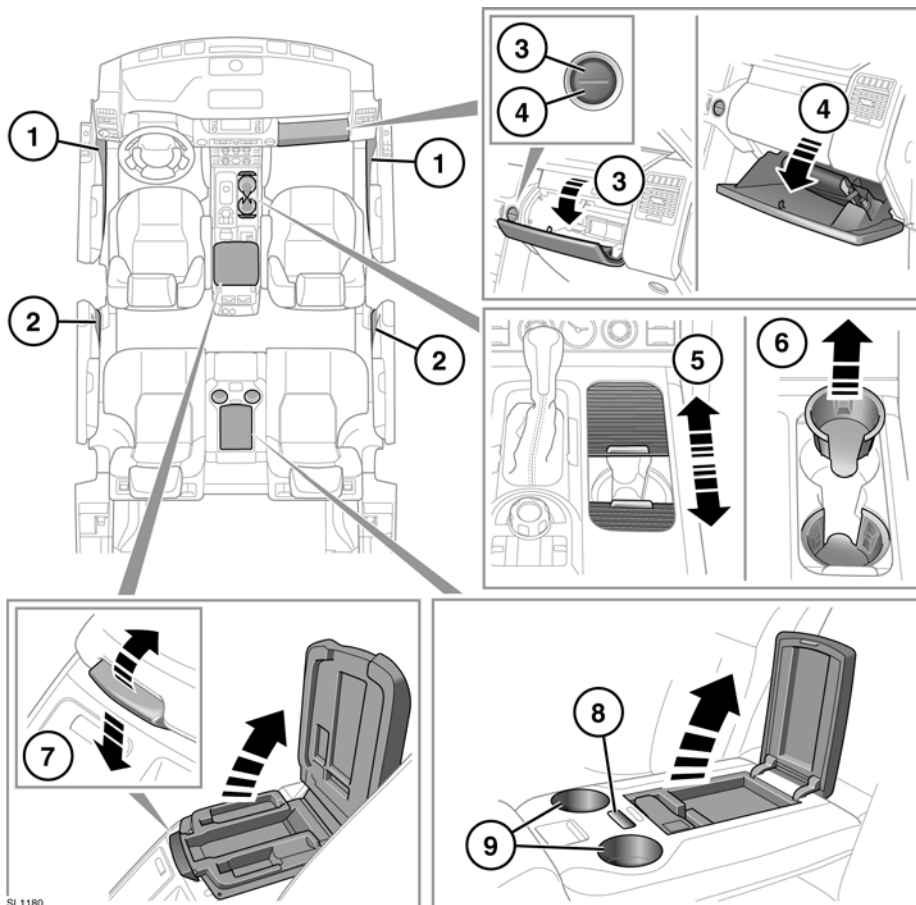


CUP HOLDERS AND STORAGE



SL1180

WARNING: Ensure that any items stored in the vehicle are secure and cannot move. If the vehicle is involved in an accident, or subject to sudden braking or direction change, loose items can cause serious injury.

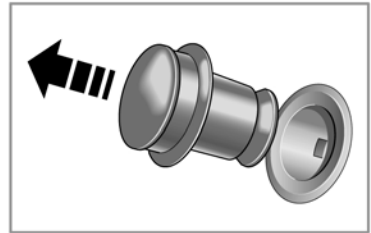
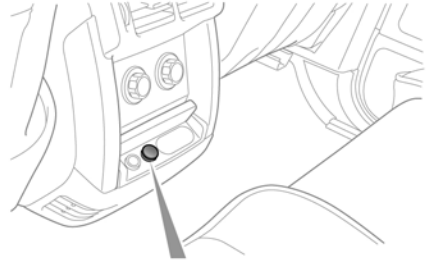
1. Door pockets.
2. Rear doors storage.
3. Press the upper part of the switch to open the upper glove box.
4. Press the lower part of the switch to open the lower glove box.
5. Slide open the covers to access the cup holders.

6. Center console cup holders. Lift out the inner sleeve to accommodate larger cups.
7. The cubby box has two operations. Lift the catch at the front of the lid to open the main box area. Push down on the catch and lift up the lid to access the trinket tray.
8. Rear cubby box. Fold the center armrest down. Press the button to release the lid.

Note: This area may already be in use if the vehicle is fitted with Rear Seat Entertainment.

9. Cup holders.

AUXILIARY POWER SOCKETS

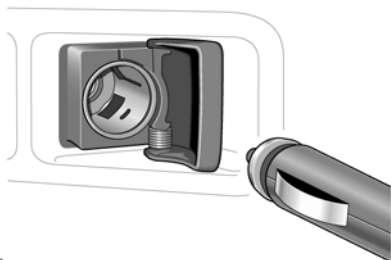
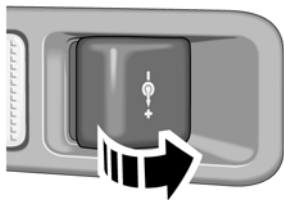


SL1440

There are three power sockets in the center console, one for the rear and two for the front. The socket inside the cubby box is for accessory use only.

The rear loadspace socket is located behind a spring loaded cover.

Convenience features



SL1682

Note: The rear loadspace socket is constantly live. If an accessory remains attached while ignition is off, battery drain may occur.

⚠ CAUTION: Use only Land Rover approved accessories. Using any other equipment may damage the vehicle's electrical system. If you are in any doubt contact a Land Rover Retailer.

⚠ CAUTION: The engine should be running when using accessories for long periods. Failure to do so can discharge the battery.

Note: Power sockets can be used to power approved accessories that use a maximum of 180 Watts.